

Product Data Sheet **digidim 4**

A Four Circuit Dimming Solution **804**

Introduction

DIGIDIM4 is a complete packaged dimming system ready for installation. It consists of a four circuit thyristor dimmer, a seven button pre-programmed control panel and a hand held remote control unit.

The dimmer is a wall mounted unit and has four independent circuits with a total load capacity of 10 Amps. It is suitable for use with tungsten lamps, mains voltage tungsten halogen and transformer* fed low voltage tungsten halogen lamps.

The seven-button panel has four pre-programmed scenes and off, complete with separate scene raise and lower buttons. The control panel comes in a range of finishes and is designed to fit a standard UK back box.

The remote control is a hand held seven-button unit that can be used to control basic system functions such as on/off, scene selection and raising/lowering the general light level.



DIGIDIM4
Four Circuit Dimmer

Key Features

- Out of the box operation, supplied pre-programmed.
- All wiring uses standard twin and earth mains cable.
- Scenes and associated fade times can be modified and stored from the control panel.
- Input terminals for alarm, setting all circuits to full (100%) if alarm is triggered.
- Up to four additional control panels can be added, if required.

Panel Finishes

Control panels are available in a range of finishes, as shown below:



Satin White Plastic



Polished Brass

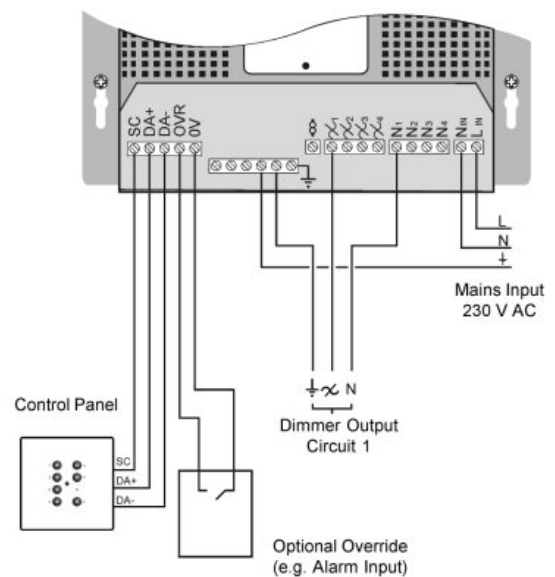


Brushed Stainless
Steel



Stainless Steel
& Carbon Fibre

Connection Details



Helvar

*provided transformer manufacturer approves use with thyristor (leading edge) dimmers.
Doc. 7860116 Issue 2