

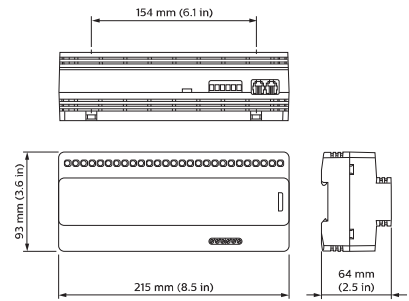


DDBC1200 Signal Dimmer Controller

Choice of HF driver control methodologies

The Philips Dynalite DDBC1200 features 12 independent output channels, each selectable to DALI Broadcast, 0-10 V or DSI. The device can also be linked to a separate relay module for control of 1-10 V HF fluorescent drivers.

- Multiple protocols supported — Compatible with a range of fittings and devices including: DSI HF fluorescent drivers, DSI electronic low voltage transformers, DALI HF fluorescent drivers (broadcast mode only), DALI electronic low voltage transformers (broadcast mode only), 1-10 V HF fluorescent drivers and devices that require 0-10 V analog control signals.
- LED status indicators — Instant visual feedback on channel status of all 12 outputs.
- Flexible mounting solution — A DIN-rail mountable device, designed to be installed into the distribution board supplying power to the controlled lighting circuit.
- Inbuilt diagnostic functionality — Features lamp and driver failure reporting, driver run time tracking for each driver and Device Online/Offline status indication.



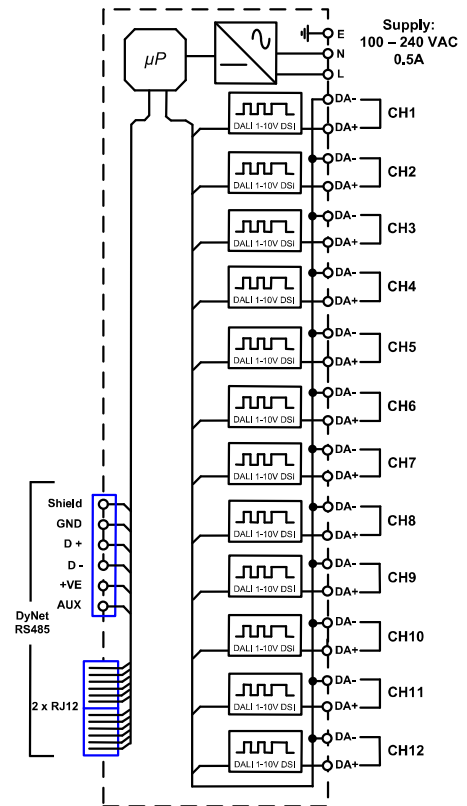
For detailed product information, please refer to the product information pages at www.philips.com/dynalite and follow the links.

Specifications

Due to continuous improvements and innovations, specifications may change without notice.

Item	Specification	Details
Electrical	Input Voltage	100 - 240 VAC 50 / 60 Hz Single Phase @ 0.5 A
	DyNet DC Supply	12 V @ 200 mA (supply for approx 9 user interfaces)
	Outputs	12 x control outputs, selectable to DALI, 0-10V or DSI
	Output Capacity	DALI Broadcast Mode: 80 DALI drivers per channel, 300 total 0-10V Mode: 50 mA sink or source per channel, Max 600 mA per box DSI Mode: 100 DSI drivers per channel, 1200 total
Control	Control Inputs/Outputs	One DMX512 / RS-485 DyNet serial port One programmable dry contact AUX input
	User Controls	Manual override switch for each channel Service switch Diagnostic LED
	Preset Scenes	170
	Diagnostic Functions	Device online/offline status
Physical	Supply Terminals	Line, Neutral, Earth 0.2 - 5 mm ² (24-10 AWG) conductor size
	Output Terminals	12 x DALI, 0-10V, DSI driver circuits: DA+, DA- 0.2 - 5 mm ² (24-10 AWG) conductor size
	Dimensions (H x W x D)	93 mm x 215 mm x 64 mm (3.6" x 8.5" x 2.5")
	Packed Weight	0.54 kg
	Construction	Polycarbonate DIN-rail enclosure (12 unit)
	Operating Conditions	Temperature: 0 to 40° C ambient Humidity: 0 to 95% non-condensing
	Storage & Transport	Temperature: -25 to 70° C ambient Humidity: 0 to 90% non-condensing
Certification	Certification	CE, RCM
Options & Ordering	Standard Product	DDBC1200 (Philips I2NC - 913703035109)

Electrical Diagram



Philips Dynalite
6 / 691 Gardeners Road
Mascot, NSW 2020
Australia
Tel: +61 2 8338 9899
Email: dynalite.info@philips.com
Web: www.philips.com/dynalite

Specifications subject to change without notice. © WMGD Pty Ltd Trading as Dynalite. Unit 6, 691 Gardeners Road Mascot 2020 Australia. ABN 33 097 246 921. All rights reserved. Dynalite, DyNet and associated logos are the registered trademarks of WMGD Pty Ltd. Not to be reproduced without permission.