

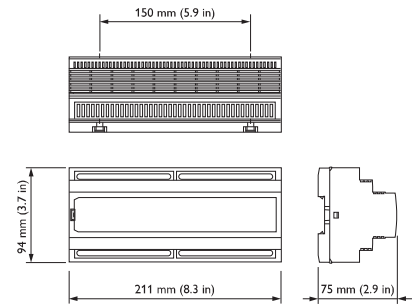


DDMC802GL Multipurpose Modular Controller

Control different load types with one device

The Philips Dynalite DDMC802GL provides eight channels of control, with a maximum load per channel of 2A. The device is available with a variety of output modules to provide control of differing load types. The DDMC802GL can generally be loaded to a total of 10A.

- Single controller solution specifically suited to residential and hotel applications — Control a multitude of load types from one device.
- Trailing edge phase control dimmer module — Suitable for use with most types of dimmable electronic transformers.
- Leading edge phase control dimmer module — Suitable for use with incandescent lamps and some types of dimmable electronic transformers.
- HF driver control module — Suitable for controlling 0-10V and digital drivers and transformers.
- Relay control module — Suitable for controlling most types of switched loads.
- Fan control module — 400 VA fan control module.
- Curtain control module — Provides control of curtains, blinds and other window treatments.
- Flexible mounting solution — A DIN-rail mountable device, designed to be installed into the distribution board supplying power to the controlled circuit.



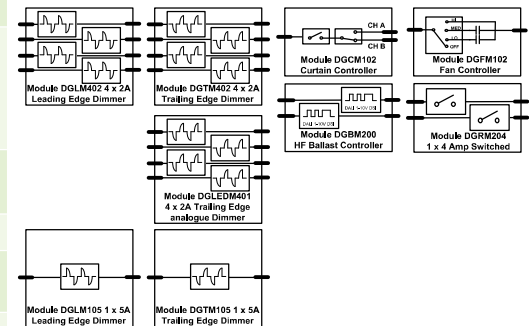
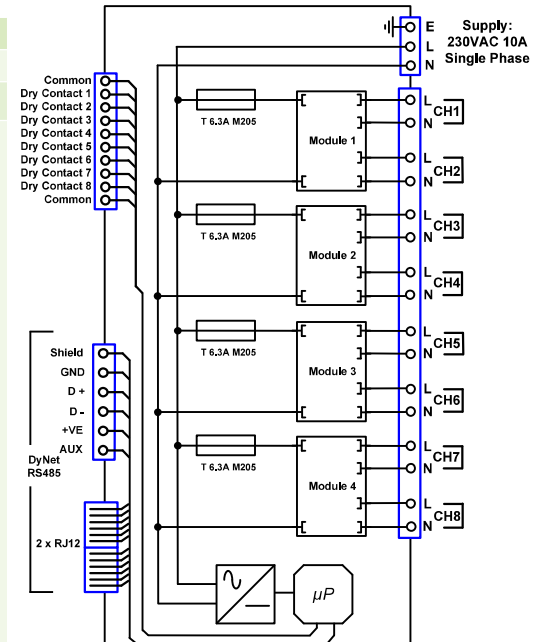
For detailed product information, please refer to the product information pages at www.philips.com/dynalite and follow the links.

Specifications

Due to continuous improvements and innovations, specifications may change without notice.

Item	Specification	Details	
Electrical	Input Voltage	230 V ±14% 50 / 60 Hz Single Phase @ 10 A	
	DyNet DC Supply	12V @ 120 mA (supply for approx 6 user interfaces)	
Electrical	Outputs	<p>8 x output slots @ 2 A each. Maximum device load 10 A Some modules occupy 2 slots. Available modules include:</p> <p>DGBM200: 2 channel; DALI Broadcast, I-10V or digital HF driver control. Occupies 1 slot</p> <p>DGCM102: 1 channel 2 A SPDT curtain control. Occupies 1 slot</p> <p>DGFM102: 1 channel 400 VA fan control. Occupies 1 slot</p> <p>DGLM402: 4 channel 2 A Leading Edge dimmer. Maximum module load 5 A. Regulating device: Triac 20 A, 600 V. Occupies 2 slots</p> <p>DGLM105: 1 channel 5 A Leading Edge dimmer. Regulating device: Triac 20 A, 600 V. Occupies 2 slots</p> <p>DGRM204: 2 channel 4 A relay. Switching device: Relay, 16 A, TVS, 100 A surge. Occupies 1 slot</p> <p>DGLEDM401: 4 channel 1 A mains rated LED analogue dimmer. MOSFETs 25 A, 500 V, 62 A surge. Occupies 2 slots</p> <p>DGTM402: 4 channel 2 A Trailing Edge dimmer. Maximum module load 4 A. Regulating device: MOSFETs 25 A, 500 V, 62 A surge. Occupies 2 slots</p> <p>DGTM105: 1 channel 5 A Trailing Edge dimmer. Regulating device: MOSFETs 25 A, 500 V, 62 A surge. Occupies 2 slots</p>	
	Control Inputs/Outputs	One DMX512 / RS-485 DyNet serial port	
	Dry Contacts		Eight programmable dry contact AUX inputs* Max cable length <20m
			* Requires 10-pole pluggable terminal block, ordered separately. See I2NC product code in Options & Ordering below.
	User Controls	Service switch Diagnostic LED	
	Preset Scenes	170	
	Diagnostic Functions	Circuit run time tracking on each channel Device online/offline status	
	Physical	Supply Terminals	Line, Neutral, Earth 2 x 2.5mm ² or 1 x 4 mm ² conductor size
		Output Terminals	Channel, Common for each channel 2 x 2.5mm ² or 1 x 4 mm ² conductor size
		Dry Contact Input Terminals	1 x 10 pole removable terminal socket PTR item code: AK950/10-5-0-GREEN
Dimensions (H x W x D)		94 mm x 211 mm x 75 mm (3.7" x 8.3" x 2.9")	
Packed Weight		0.94 kg	
Construction		Polycarbonate DIN-rail enclosure (12 unit)	
Operating Conditions		Temperature: -0 to 40° C ambient Humidity: 0 to 95% non-condensing	
Storage & Transport		Temperature: -25 to 70° C ambient Humidity: 0 to 90% non-condensing	
Certification	Certification	CE, RCM	
Options & Ordering	Standard Product	DDMC802GL (Philips I2NC - 913703026009) SP-TERMBLK-PLG-10P-5MM (Philips I2NC - 913703026009)	

Electrical Diagram



Philips Dynalite
6 / 691 Gardeners Road
Mascot, NSW 2020
Australia
Tel: +61 2 8338 9899
Email: dynalite.info@philips.com
Web: www.philips.com/dynalite

Specifications subject to change without notice. © WMGD Pty Ltd Trading as Dynalite. Unit 6, 691 Gardeners Road Mascot 2020 Australia. ABN 33 097 246 921. All rights reserved. Dynalite, DyNet and associated logos are the registered trademarks of WMGD Pty Ltd. Not to be reproduced without permission.