



# Dynalite Multipurpose Controllers

## DDMC802

Multipurpose Modular Controller to control different load types with one device

Multipurpose Modular Controller to control different load types with one device

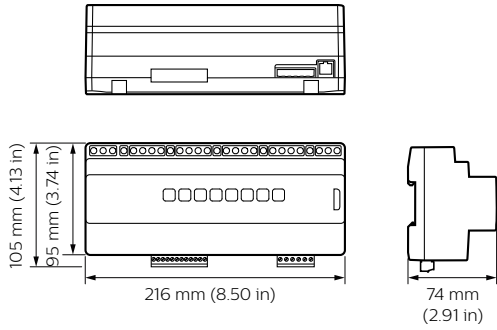
### Product data

General Information	
CE mark	CE mark
Remarks	Please download the Lighting - Product Data Sheet for more information and ordering options
EU RoHS compliant	Yes
Application Conditions	
Ambient temperature range	0 to +40 °C
Product Data	
Full product code	871869688800100

Order product name	DDMC802
EAN/UPC - Product	8718696888001
Order code	913703243509
Numerator - Quantity Per Pack	1
Numerator - Packs per outer box	1
Material Nr. (12NC)	913703243509
Net Weight (Piece)	460.000 g

# Dynalite Multipurpose Controllers

## Dimensional drawing



Dynalite Multipurpose Controllers

