

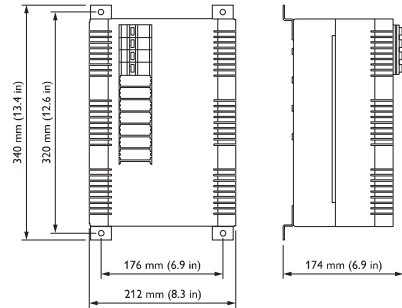


DLE410 Leading Edge Dimmer Controller

Ideal for lecture theater and presentation applications

The DLE410 is a four channel leading edge dimmer controller, with a maximum load per channel of 10A. It is suitable for use with incandescent, neon and selected fluorescent light sources, as well as iron core and leading edge electronic transformers.

- Ideal for applications where multiple user settings are required — Provides robust control in situations where a small number of lighting circuits require control.
- Interference suppression — Iron powder core toroidal choke lessens effects of interference from other equipment, such as transformers.
- Naturally ventilated — Requires no forced cooling or maintenance.
- Soft start and voltage regulation technologies — Protects lamps from over voltage and dramatically improves lamp life, reducing maintenance costs.
- Diagnostic functionality — Device Online/Offline status reporting.
- User controls — Incorporates service override switch - all channels to 100%, a diagnostic LED and hardware bypass switches for each channel.
- Options available — Including an additional RS485 DyNet/DMX512 port, circuit breaker trip reporting, double pole circuit breakers or earth leakage and overload protection on each channel.



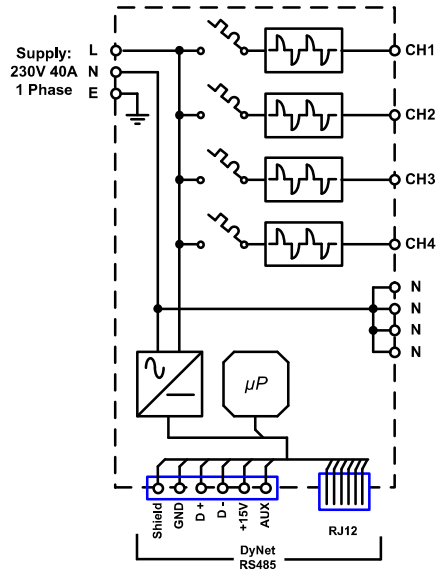
For detailed product information, please refer to the product information pages at www.philips.com/dynalite and follow the links.

Specifications

Due to continuous improvements and innovations, specifications may change without notice.

Item	Specification	Details
Electrical	Input Voltage	230 V \pm 14% 50 / 60 Hz Single Phase @ 40 A
	DyNet DC Supply	12 V @ 200 mA (supply for approx 10 user interfaces)
	Outputs	4 x dimmed outputs leading edge phase control @ 10 A
	Protection	4 x 10 A 6 kA single pole thermal magnetic circuit breakers
	Regulating Device	Triac - 40 A nom., 600 V, 400 A surge
	Power Conditioning	Regulated outputs Over voltage protection Surge protection Brownout / Sag protection Spike protection Soft start 16 bit fade resolution (65,536 steps)
	Interference Suppression	Iron powder toroidal choke
	Rise Time	100 μ s @ 230 V
	Control	Control Inputs/Outputs
User Controls		Service override switch - all channels to 100% Diagnostic LED Hardware bypass switches for each channel
Preset Scenes		170
Diagnostic Functions		Device online/offline status
Physical	Supply Terminals	Line, Neutral 2 x 10 mm ² max conductor size
	Output Terminals	Line, Neutral for each channel 2 x 4 mm ² max conductor size Earth Link bar provided
	Cable Entries	Mains - 7 x 25 mm dia. knockout Data - 1 x 25 mm dia. knockout
	Cooling System	Naturally ventilated, no forced cooling, no maintenance
	Dimensions (H x W x D)	340 mm x 212 mm x 174 mm (13.4" x 8.3" x 6.9")
	Packed Weight	8.8 kg
	Construction	Alloy / Steel wall mount case with epoxy finish
	Operating Conditions	Temperature: -0 to 40° C ambient Humidity: 0 to 95% non-condensing
Certification	Certification	CE, C-Tick
	Options & Ordering	Standard Product DLE410 (Philips 12NC - 913703006009) Extra DyNet / DMX512 Port DLE410-A (Philips 12NC - 913703006109) Circuit breaker trip reporting DLE410-BT (Philips 12NC - 913703006309) Double pole cct breakers DLE410-DP (Philips 12NC - 913703006409) Earth leakage & overload protection on each channel DLE410-RCBO (Philips 12NC - 913703006709) Dual port & RCBO DLE410-A-RCBO (Philips 12NC - 913703006909)

Electrical Diagram



Philips Dynalite
6 / 691 Gardeners Road
Mascot, NSW 2020
Australia
Tel: +61 2 8338 9899
Email: dynalite.info@philips.com
Web: www.philips.com/dynalite



Specifications subject to change without notice. © WMGD Pty Ltd Trading as Dynalite. Unit 6, 691 Gardeners Road Mascot 2020 Australia. ABN 33 097 246 921. All rights reserved. Dynalite, DyNet and associated logos are the registered trademarks of WMGD Pty Ltd. Not to be reproduced without permission.