



Dynalite Phase-Cut Dimmers

DDLE802

8 channel Leading Edge Dimmer Controller at 2 A per channel

The Philips Dynalite DDLE802 is an eight channel leading edge dimmer controller with a maximum load per channel of 2 A. It is suitable for use with incandescent, low voltage, neon and selected fluorescent fixtures. Optional manual override LED illuminated service switch, provides diagnostic and local override capability. Soft start and voltage regulation technologies, protects lamps from over voltage and dramatically improves lamp life, reducing maintenance costs. Naturally ventilated, no forced cooling required, no maintenance required. Flexible mounting solution, a DIN-rail mountable device, designed to be installed into the distribution board supplying power to the controlled circuit.

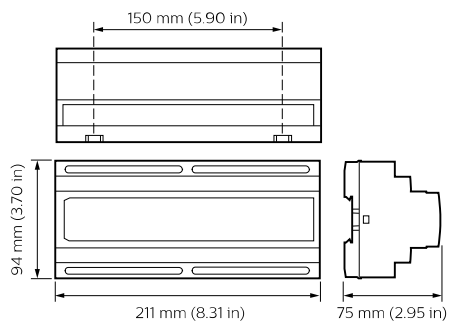
Product data

General information	
CE mark	CE mark
Type description - long text	8 channel Leading Edge Dimmer Controller at 2 A per channel
Remarks	Please download the Lighting - Product Data Sheet for more information and ordering options
EU RoHS compliant	Yes
Application conditions	
Ambient temperature range	0 to +40 °C
Product data	
Full product code	871016350500800

Order product name	DDLE802
EAN/UPC - Product	8710163505008
Order code	913703000009
Numerator - Quantity Per Pack	1
Local code description	MODULO CONTROLE DDLE802
Numerator - Packs per outer box	1
Material Nr. (12NC)	913703000009
Net Weight (Piece)	0.600 kg

Dynalite Phase-Cut Dimmers

Dimensional drawing



DDLE802

