

The DDRC810DT-GL controller is designed to operate any type of switched load. The DDRC810DT-GL incorporates voltage free changeover SPDT type output relays, making the device ideal for controlling bi-directional motors, such as curtain motors. This device is DIN-rail mountable, designed for installation within a switchboard or next to circuit breakers, feeding the circuits to be controlled. This device can operate as standalone units or as part of an integrated system when connected to a DyNet network.

technical data >>>



**Supply**

100-240V, 50/60Hz  
Single Phase at max. 0.25 A  
Active SMPS power consumption estimate is max 8W

**Outputs**

DDRC810DT-GL – 8 x switched SPDT voltage free changeover maximum ratings for each output:  
10A 250V AC (resistive), 10A 30V DC (resistive)  
• Snubbers/spark killers not fitted, de rate for reactive loads.  
• Functional isolation only between switched outputs, do not mix SELV and non-SELV loads on the same DDRC810DT-GL.

**Maximum Total Box Load**

40A Box Load

**Control IO**

1 x RS485 DyNet serial port / DMX  
1 x AUX programmable dry contact input

**User Controls**

Service Override switch  
Diagnostic LED

**Internal Controls**

Inbuilt Programmable Logic Controller

**DyNet DC Supply**

12V @ 120mA (supply for approx. 6 panels)

**Preset Scenes**

170

**Supply Terminals**

Line, Neutral, Earth  
2 x 2.5mm<sup>2</sup> or 1 x 4mm<sup>2</sup> max conductor size

**Output Terminals**

C, NO, NC for each channel 1 x 4mm<sup>2</sup> max conductor size

**Diagnostic Functions**

Circuit run time tracking on each channel

**Compliance**

CE, C-Tick

**Operating Environment**

0° to 50°C ambient temperature  
0% to 95% RH non-condensing

**Storage and Transport**

-25 to 60°C ambient temperature  
0% to 90% RH non-condensing

**Enclosure**

Polycarbonate DIN-rail enclosure (12 unit)

**Dimensions**

H 93mm x W 211mm x D 75mm

**Weight**

Packed weight 0.82kg

load compatibility >>>

Any switched load, up to 10A per channel

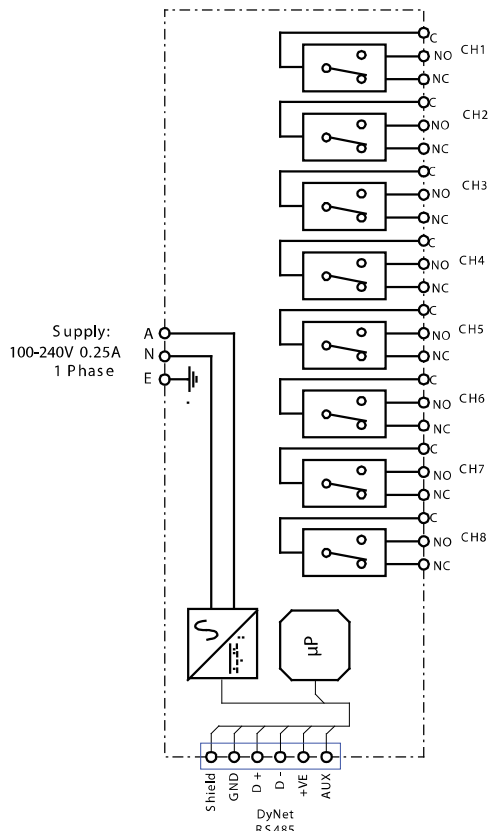
options >>>

**Manual Override - MO**

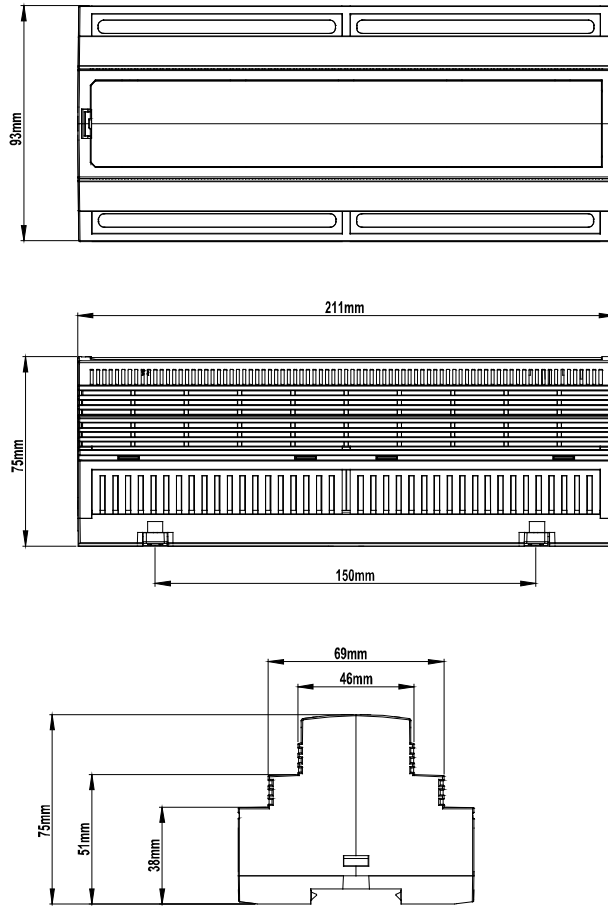
front panel override switches, ideal for contactor control applications. Includes:

- ON/OFF/AUTO override switch for each channel
- LED status indicator for each channel

electrical diagram - DDRC810 



mounting dimensions 



For further information contact:

