

8-Channel Dimmer Module (458/DIM8)

The 458/DIM8 is an eight-channel digital thyristor dimmer module, capable of leading-edge dimming of resistive and inductive loads.

It has a DALI and an SDIM/DMX interface, and therefore can be fully integrated into a standalone DALI, a DIGIDIM, an Imagine router or a DMX system. It can also be used on the TouchPanel.

The module has eight channels rated at 10 A, with a total current capacity of 48 A, which can be configured as 8 × 6 A channels or 4 × 10 A channels.

The front of the module is equipped with an LCD display and keypad to set basic configuration parameters and provide basic control of channel and output levels.

The module is easily fitted to a 458Mx chassis, in which each load channel is protected by an individual MCB.

Note: The 458/DIM8 8-Channel Dimmer Modules are supplied separately from the 458Mx chassis.

Key Features

- Easily attached to a 458Mx chassis and connected to the mains supply for quick installation.
- LCD display screen and a five-button keypad for monitoring, configuration and manual control.
- Auxiliary power supply can be used to power one TouchPanel.
- Built-in DIGIDIM power supply, which can be used to power DALI systems if required.



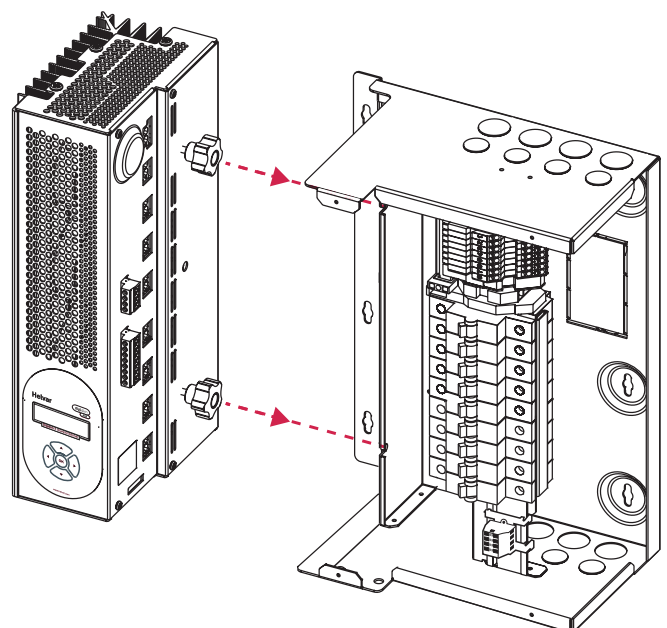
LCD Display



Options Module

There is an internal connection for an options module, which is sold separately. The options module is used to convert four channels into any of the following modes:

- 1–10 V → sink, 50 ballasts drive
- DSI® (Digital Signal Interface) → 10 ballasts drive
- PWM (Pulse Width Modulation) → 10 ballasts drive
- DALI broadcast → 10 ballasts drive



DSI® is a registered trademark of Tridonic GmbH.

Technical Data

Connections

DALI:	0.5 mm ² – 1.5 mm ² (max. 300 m @ 1.5 mm ²)
SDIM/DMX:	0.22 mm ² – 1.5 mm ² low-loss RS485 Type (multistranded, twisted and shielded)
Override (OVR):	0.5 mm ² – 1.5 mm ² (screened and twisted)

Power

Mains supply:	100 VAC – 240 VAC (nominal) 85 VAC – 264 VAC (absolute) 45 Hz – 65 Hz
Power consumption:	1.3 W (no DALI or TouchPanel PSU used)

Supply

Supply current:	48 A (max.)
Nominal load:	8 A × 6 A or 4 A × 10 A loads (max. 48 A combined)
DALI supply:	250 mA (max.), 16 VDC (nominal)
TouchPanel supply:	250 mA (max.), 16 VDC (nominal)

Protection

Power circuit protection:	6 A max. external protection, earth mandatory
Thermal protection:	Control board – resettable fuse Power devices – thermal sensing

Installation

Mounting:	Attached to 458M1, 458M2, or 458M3 chassis
------------------	---

Mechanical data

Dimensions:	360 mm × 105 mm × 170 mm
Housing:	Powder coated steel (Black)
Weight:	6.2 kg
Heatsink:	Anodised aluminium
IP code:	IP20

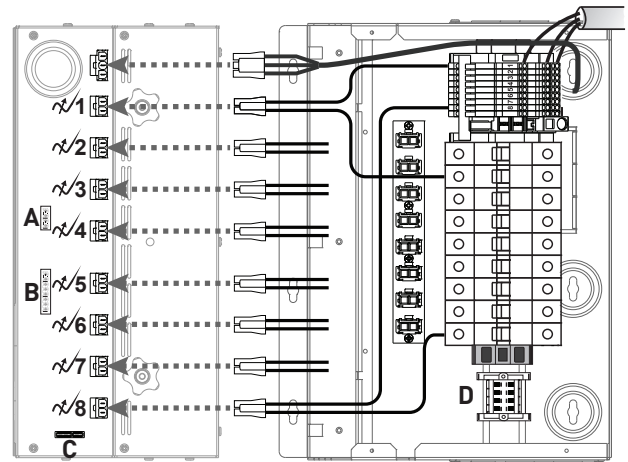
Operating conditions

Ambient temperature:	0 °C to +40 °C
Relative humidity:	Max. 90 %, noncondensing
Storage temperature:	-10 °C to +70 °C

Conformity and standards

EMC emission:	EN 55015
EMC immunity:	EN 61547
Safety:	EN 60950
DALI data transfer:	According to DALI standard IEC60929, with Helvar extensions
SDIM data:	Helvar protocol (RS485, 115 kbps)
DMX data:	DMX: DMX512-A protocol (max. refresh rate: 33 Hz)
Environment:	Complies with WEEE and RoHS directives.

Connections



A: DALI supply
B: TouchPanel supply, OVR, SDIM/DMX
C: Options module socket
D: SDIM/DMX cable loom

Dimensions (mm)

