

SBB-A • SBB-B • SBB-C

Surface mounting boxes for 311, 312, 313, 314 and 317 sensors

The SBB-A, SBB-B and SBB-C are surface mounting boxes (back boxes) for the following Helvar DALI lighting system sensors:

- 311 PIR Detector
- 312 Multisensor
- 313 Low-Profile Microwave Detector
- 314 Tilting Microwave Detector
- 317 High-Bay PIR Presence/Absence Detector

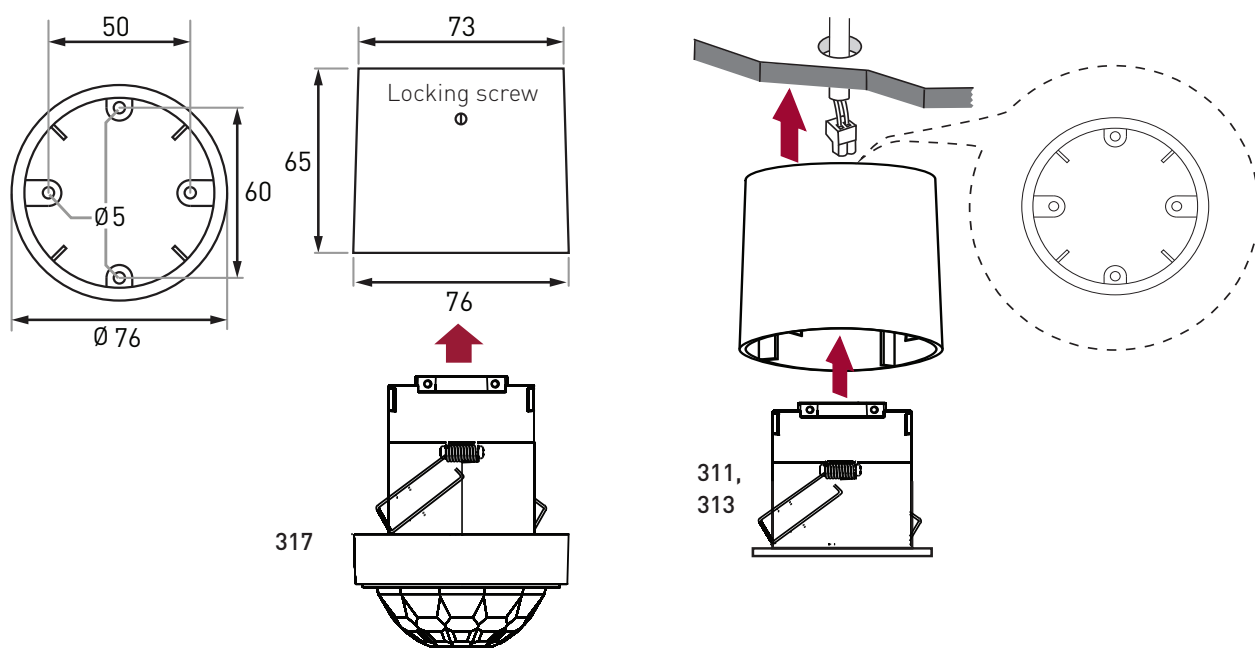


SBB-A:
311, 313, 317

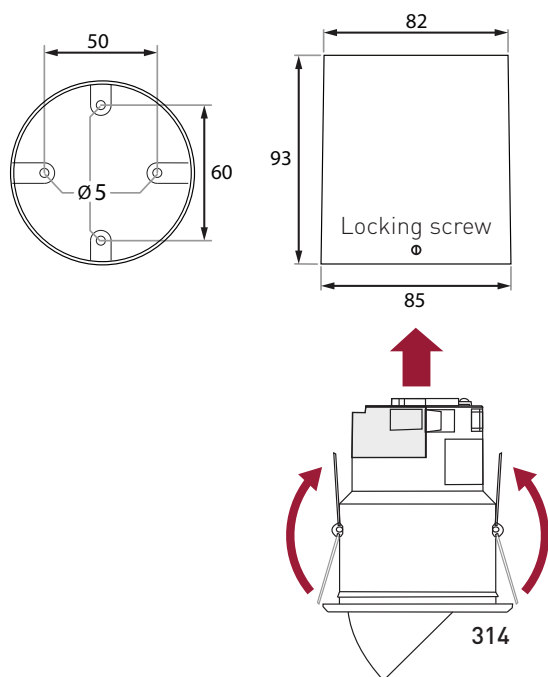
SBB-B:
314

SBB-C:
312

SBB-A for 311, 313 and 317



SBB-B for 314



SBB-C for 312

