

SBB-P Surface-Mount Back Box

The Surface-Mount Back Box is an IP65-rated back box designed as a surface-mounted option for Helvar's range of presence/absence detectors.

Its fully sealed cover provides a water- and dust-protected enclosure in hazardous areas. This back box can be mounted in cold storage areas to temperatures to $-30\text{ }^{\circ}\text{C}$.

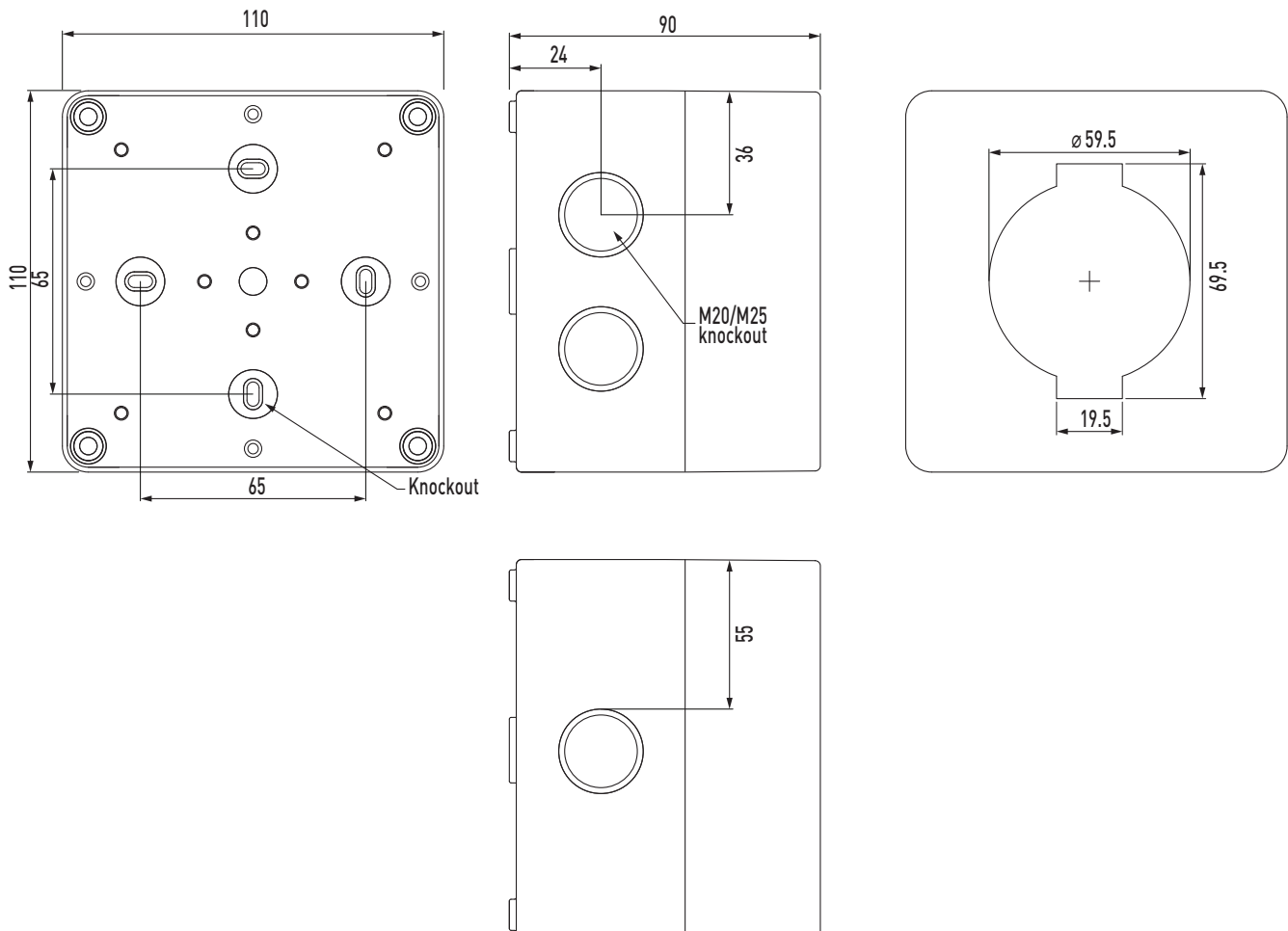
It is supplied with fibreglass reinforced retaining screws to lock the enclosure and with sealing caps to plug the screw holes to the wall.



Key Features

- IP65 gland enclosure
- 110 mm × 110 mm × 90 mm
- Predrilled hole for sensor
- M20/M25 knockouts
- Large cavity for wiring
- Impact resistant

Dimensions (mm)



Technical Data

Mechanical data

Dimensions: 110 mm × 110 mm × 90 mm

Weight: 215 g

Material (casing) Cover, base: Polycarbonate
Screw: Polymide 6

IP code: Ingress protection: IP65
Impact rating: IK07

Operating conditions

Ambient temperature: -30 °C to +50 °C

Relative humidity: Max. 90 %, noncondensing

Storage temperature: -40 °C to +80 °C

