

Switch Interface Unit with LED Tellback (445)

The Digidim 445 is a compact interface unit that allows the connection of third-party switches or button panels to a Helvar lighting control system.

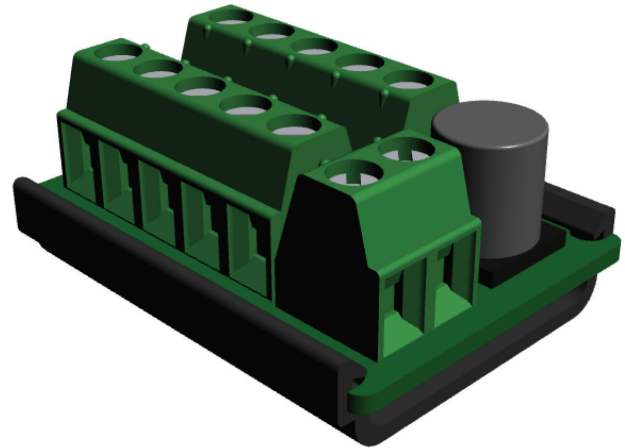
The unit provides four switch inputs for use with volt-free contacts, and four LED outputs for indicator LEDs.

Power for the unit is derived from the DALI network, so no external power supply is required.

Connections to the unit are via screw terminals.

The compact design means that the unit can be mounted within a third-party switch/button module or back box.

The unit is fully compatible with Helvar lighting control systems, and its operation is configured using Helvar Toolbox or Designer software.

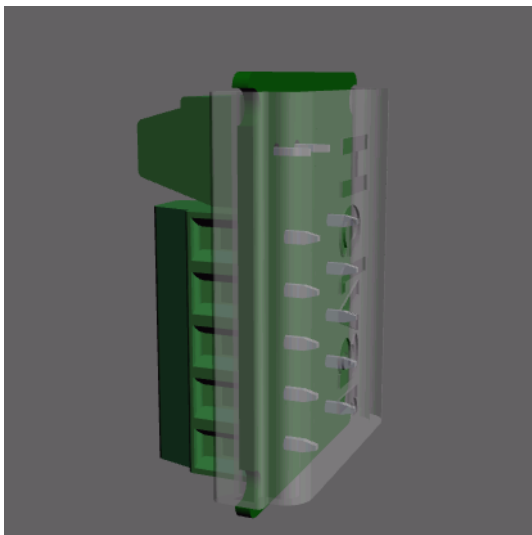


Key Features

- Compact design
- 4 switch inputs
- 4 LED outputs
- Powered from DALI network

3D Viewer

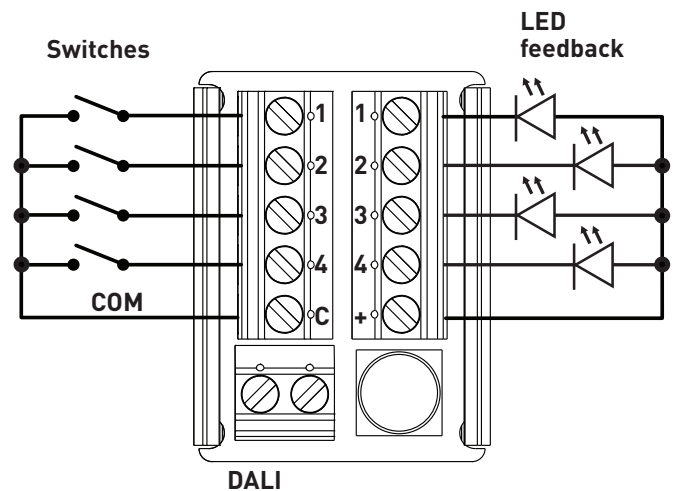
(Electronic version only)



Connections

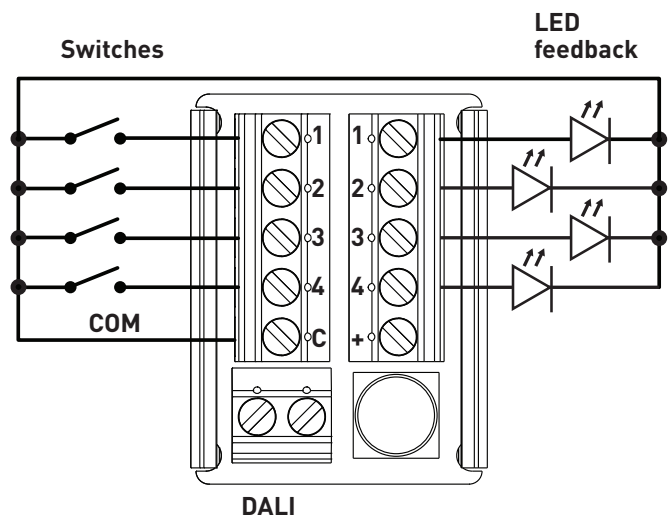
Common anode

(Default 'LED Type' setting)



Common cathode

(Set 'LED Type' to 'Common cathode' in Toolbox or Designer software.)



Technical Data

Connections

Inputs:	4 inputs COM input ground
Overload protection:	± 7 V
Short-circuit current:	0.5 mA max.
Debounce period:	50 ms
Voltage-free switched inputs:	5 V nominal with switch open, must be less than 0.3 V with switch closed
Isolation:	No isolation from DALI network: switches must provide user protection
LED output:	5 V source, 1 kΩ source impedance

Cable requirements

Wire size:	Up to 1.5 mm ²
Strip length:	5 mm

Power

DALI supply output:	None (Use external DALI power supply)
DALI consumption:	15 mA

Maximum wire length

Switch inputs:	0.5 m
LED driver outputs:	0.5 m
DALI:	300 m

Mechanical data

Dimensions:	30 mm × 23 mm × 14 mm
Connector screws:	M2 (screwdriver blade 0.4 mm × 2.5 mm)
IP code:	IP00

Operating conditions

Ambient temperature:	0 °C to +40 °C
Relative humidity:	Max. 90 %, noncondensing
Storage temperature:	-10 °C to +70 °C

Conformity and standards

EMC emission:	EN 55015
EMC immunity:	EN 61547
Safety:	EN 60950
Environment:	Complies with WEEE and RoHS directives

Dimensions

