

Frame Kit (23x)

The 23x Series is a customisable DALI-compatible range of frame kits (frame and chassis) for Helvar 12x and 13xx control modules.

Key Features

- Compatible with any of Helvar 12x and 13xx panel modules, including customisable versions.
- Designed to fit DIN and UK standard back boxes.
- Double-gang version can take three independent modules.

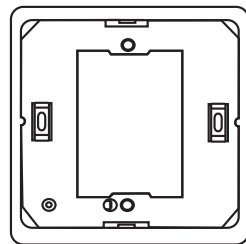
Finishes

The frames kits are available in the following range of finishes:

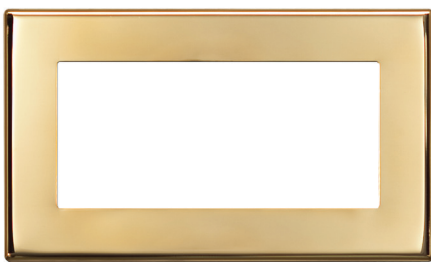
Frame finish	Single-gang code	Double-gang code
Painted White	234 S	234 D
Metal		
Stainless Steel	232 S	232 D
Polished Brass	231 S	231 D
White Plastic	230 S	230 D



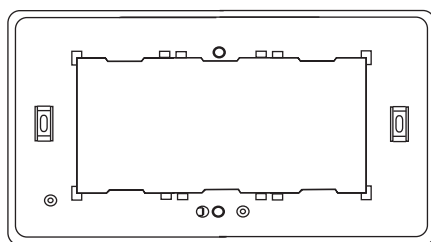
Single Frame



Single Chassis



Double Frame



Double Chassis

The Helvar 12x and 13xx control modules are sold separately.

Technical Data

Dimensions

Single frame dimension: 86 mm × 86 mm × 4.5 mm
(White Plastic: 88.4 mm × 88.4 mm × 4.5 mm)

Double frame dimensions: 146 mm × 86 mm × 4.5 mm
(White Plastic: 160 mm × 88.4 mm × 4.5 mm)

Single chassis dimensions: 86 mm × 86 mm × 5.9 mm

Double chassis dimensions: 146 mm × 86 mm × 5.9 mm

Weight

Single frame kit - Net weight: 100 g

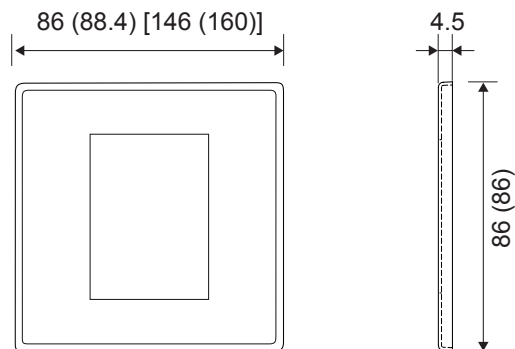
Single frame kit - Shipping weight: 130 g

Double frame kit - Net weight: 144 g

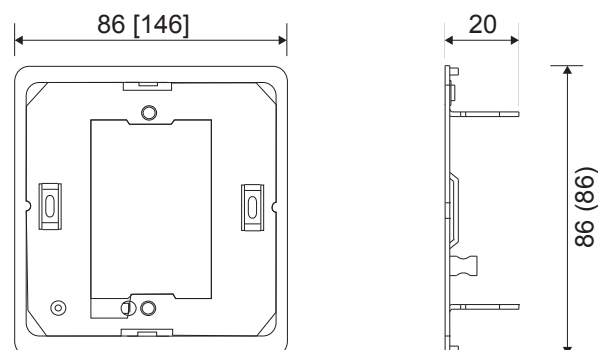
Double frame kit - Shipping weight: 184 g

Dimensions (mm)

Frame



Chassis



() = White plastic dimensions
[] = Double-gang dimensions