

Input-Output Module



The Input-Output Module is an ultra compact DIN rail mounted unit with connections for up to eight configurable Inputs or Outputs and an M-BUS network.

Each of the eight channels are selectable as Inputs or Outputs. Inputs can be selected as 0/1-10V or switched contact inputs and Outputs can be selected as 0/1-10V to control SELV equipment.

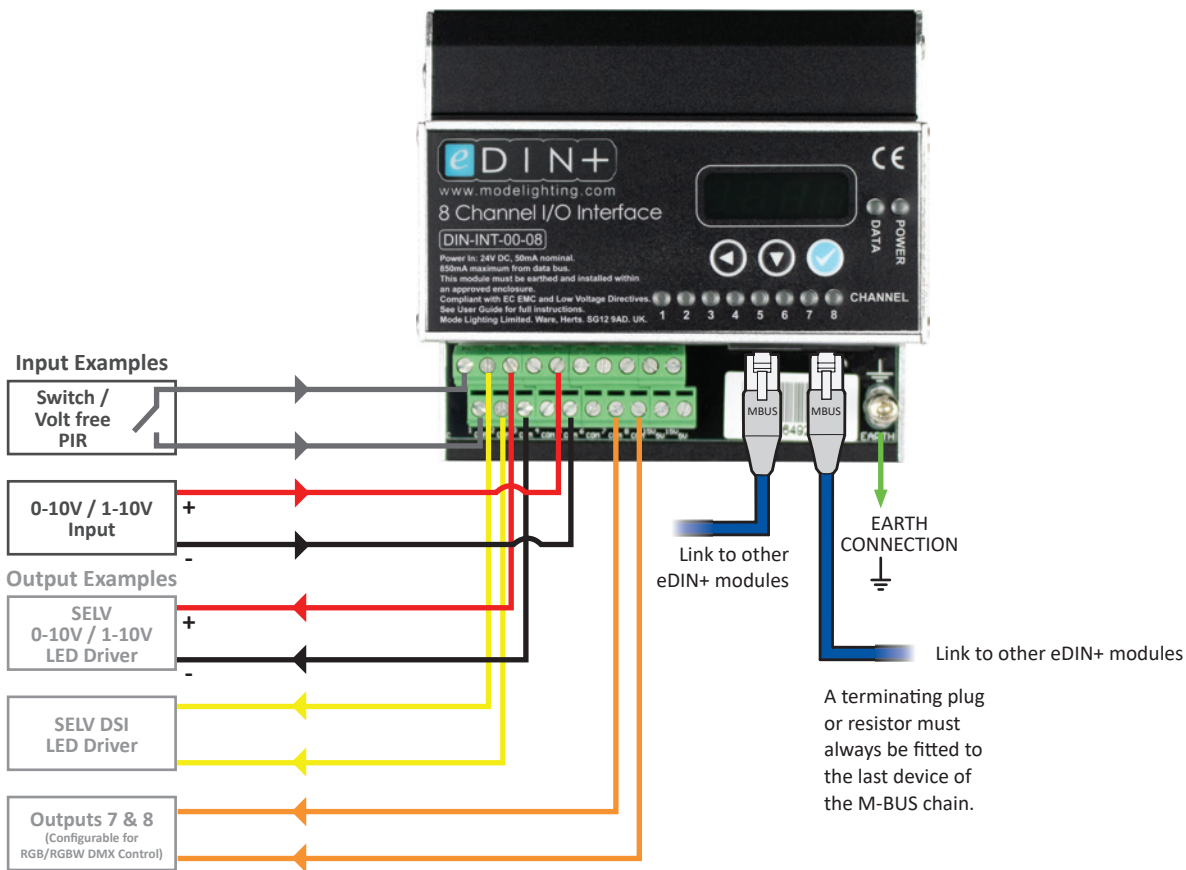
Channels 7 and 8 can also be configured to provide 6 zones of DMX control designed for RGB or RGBW lighting.

Key Features

- » Eight configurable channels selectable to Inputs or Outputs.
- » Inputs: Volt free contacts, 0-10V, 1-10V.
- » Outputs: 0-10V or 1-10V dimming control.
- » 6 zone RGB/RGBW DMX output.
- » Volt free contact interface with other building control systems.
- » Intelligent standalone feature providing multiple operating modes programmed from the menu driven display and keypad i.e. Scene Recall, Impulse, Dimming and Protocol Converter.
- » Installer pre-commissioning testing via the onboard keypad and display.
- » Non-volatile flash memory.
- » Compact 6M width DIN rail mounting module.
- » 2 year warranty.



System Architecture



Technical Data

Power	
Power Supply	» +24V (from M-BUS)
Connections & Cable Specifications	
Control Input	» M-BUS
M-BUS Current Consumption	» 50mA
Configurable I/O (8qty)	» Input: : Volt free contacts : 0/1-10V » Output: : 0/1-10V (typically 25 ballast) : DMX » Outputs 7 and 8 configurable for DMX control of RGB or RGBW lighting across six zones.
Mechanical	
Material	» Extruded aluminium case
Standards	» EN55015, EN61547, EN61000-3-2, EN61000-3-3, EN60669-2-1
Dimensions	» 100mm High x 104mm Wide x 64mm Deep
Weight	» 0.35kgs
Module Size for DIN Enclosure	» 6 Module (6M)

Note
 For additional technical information refer to Installation Guide DIN-INT-00-08-PLUS.

Installation should be in accordance with the relevant National Wiring Regulations and other applicable Regulations. Compliance to EC EMC and Low Voltage Directives may be invalidated if not used or installed according to the published specification. DIN-INT-00-08-PLUS should be located in well ventilated areas and should not be covered or enclosed by insulating materials. Mode reserve the right to amend the product specification or design at any time and without notice.



Mode Lighting Limited. The Maltings, 63 High Street, Ware, Hertfordshire, SG12 9AD. United Kingdom.
 Tel: +44 (0) 1920 462121 | Fax: +44 (0) 1920 466881 | Email: sales@modelighting.com | www.modelighting.com