



# PPAD-C-HB-DALI-ADDR

Ceiling mounted, high bay DALI addressable presence detector

## Key Features

- PIR Sensor: Detects movement within the unit's detection range, allowing load control in response to changes in occupancy
- Light Level Sensor: Measures the overall light level in the detection area
- Status LEDs
- Connection to DALI network for power and communication
- Adjustable mask (supplied) for limiting beam direction



## Overview

The PPAD-C-HB-DALI-ADDR is a ceiling mounted, fully addressable DALI passive infrared PIR presence/absence detector designed to be part of the iLight Series DALI network\*.

PPAD-C-HB-DALI-ADDR is a high sensitivity PIR detector suitable for high bay applications, such as warehouses and factories, and where high detection sensitivity is needed.

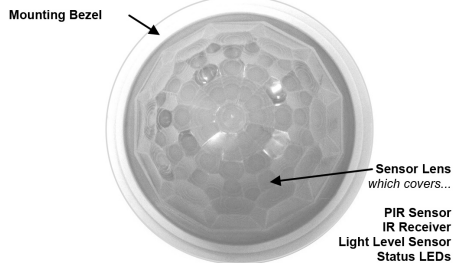
Functioning as a presence detector, the unit returns occupancy data to the DALI network.

The photocell provides a lux level measurement value to the DALI network.

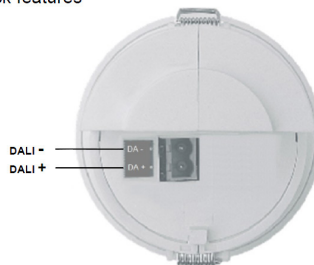


*Powering Business Worldwide*

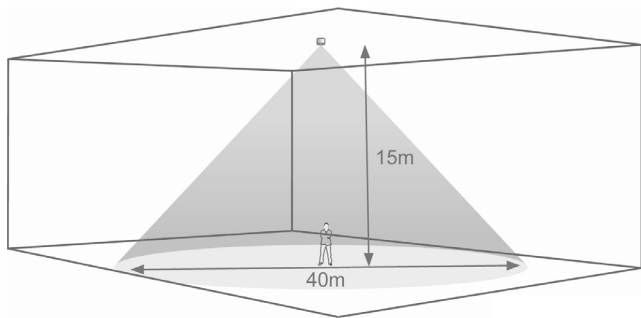
### Front features



### Back features



### Detection



Ideal for warehouses, atriums and high bay applications where daylight harvesting and minimum light levels are required.

Maximum recommended mounting height: 15m

### Technical Specifications

Weight: 0.10kg

Supply Voltage: 9.5VDC—22.5VDC via DALI

Supply Current 8mA

Terminal Capacity: 2.5mm<sup>2</sup> (solid or stranded)

Material (casing): Flame retardant ABS and PC/ABS

IP rating: 40 without gasket. 65 with gasket.(Supplied)

Compliance: EMC-89/336/EEC

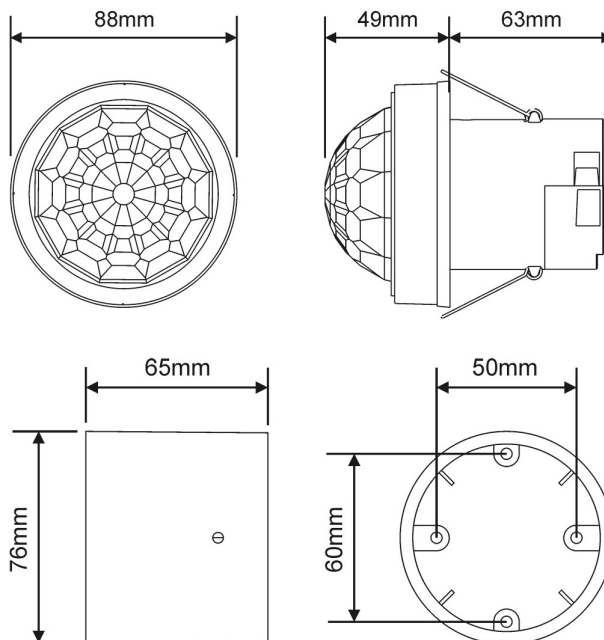
LVD-2006/95/EC

### Accessories

SB-C: Surface Mounting Box

SB-C-EX: Surface Mounting Box Extender

### Dimensions



### Commissioning

\*This sensor is intended for use with iLight DALI controllers (Using SCMD4). Commissioning is done when addressing devices on the DALI loop.

## Contact your local Eaton office

20 Greenhill Crescent, Watford Business Park,  
Watford, Herts, WD18 8JA. UK  
T: +44 (0)1923 495496 F: +44 (0)1923 228796  
E: enquiries@iLight.co.uk www.iLight.co.uk

**Eaton Lighting Systems**  
20 Greenhill Crescent,  
Watford Business Park,  
Watford, Herts, WD18 8JA. UK  
eatonlightingsystems.com

© 2017 Eaton  
All Rights Reserved

PPAD-C-HB-DALI-ADDR Rev4 0317

Changes to the products, to the information contained in this document, and to prices are reserved; so are errors and omissions.

Eaton is a registered trademark.

All other trademarks are property of their respective owners.



Powering Business Worldwide