



PPAD-C-HB-DALI-ADDR

Ceiling mounted, high bay DALI addressable presence detector

Key Features

- PIR Sensor: Detects movement within the unit's detection range, allowing load control in response to changes in occupancy
- Light Level Sensor: Measures the overall light level in the detection area
- Status LEDs
- Connection to DALI network for power and communication
- Adjustable mask (supplied) for limiting beam direction



Overview

The PPAD-C-HB-DALI-ADDR is a ceiling mounted, fully addressable DALI passive infrared PIR presence/absence detector designed to be part of the iLight Series DALI network*.

PPAD-C-HB-DALI-ADDR is a high sensitivity PIR detector suitable for high bay applications, such as warehouses and factories, and where high detection sensitivity is needed.

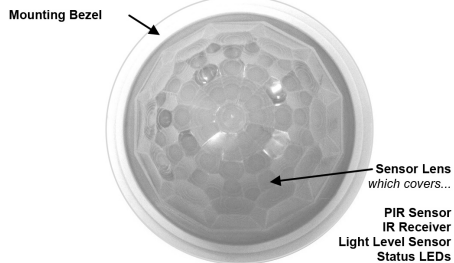
Functioning as a presence detector, the unit returns occupancy data to the DALI network.

The photocell provides a lux level measurement value to the DALI network.

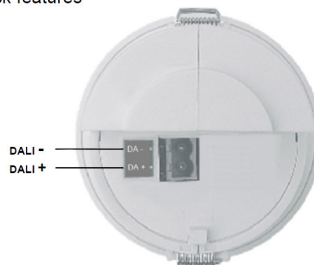


Powering Business Worldwide

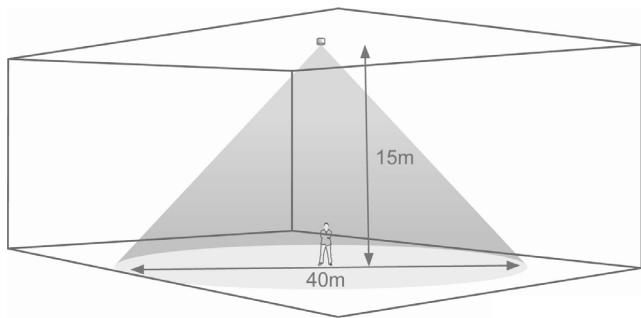
Front features



Back features



Detection



Ideal for warehouses, atriums and high bay applications where daylight harvesting and minimum light levels are required.

Maximum recommended mounting height: 15m

Technical Specifications

Weight: 0.10kg

Supply Voltage: 9.5VDC—22.5VDC via DALI

Supply Current 8mA

Terminal Capacity: 2.5mm² (solid or stranded)

Material (casing): Flame retardant ABS and PC/ABS

IP rating: 40 without gasket. 65 with gasket.(Supplied)

Compliance: EMC-89/336/EEC

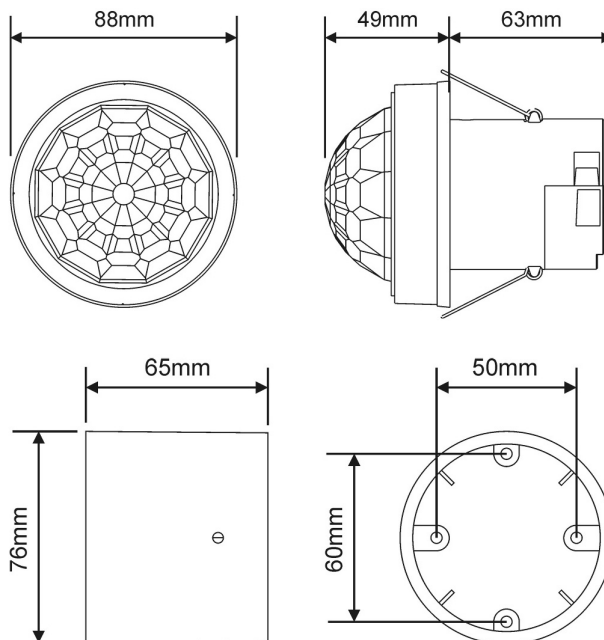
LVD-2006/95/EC

Accessories

SB-C: Surface Mounting Box

SB-C-EX: Surface Mounting Box Extender

Dimensions



Commissioning

*This sensor is intended for use with iLight DALI controllers (Using SCMD4). Commissioning is done when addressing devices on the DALI loop.

Contact your local Eaton office

20 Greenhill Crescent, Watford Business Park,
Watford, Herts, WD18 8JA. UK
T: +44 (0)1923 495496 F: +44 (0)1923 228796
E: enquiries@iLight.co.uk www.iLight.co.uk

Eaton Lighting Systems
20 Greenhill Crescent,
Watford Business Park,
Watford, Herts, WD18 8JA. UK
eatonlightingsystems.com

© 2017 Eaton
All Rights Reserved

PPAD-C-HB-DALI-ADDR Rev4 0317

Changes to the products, to the information contained in this document, and to prices are reserved; so are errors and omissions.

Eaton is a registered trademark.

All other trademarks are property of their respective owners.



Powering Business Worldwide