



MTS6 & MTS12

DALI Ceiling Sensor with PIR, Daylight & Temperature Measurement

Key Features

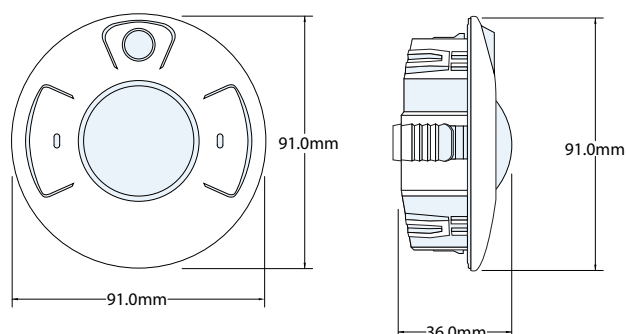
- Daylight sensing, occupancy detection and temperature measurement technologies combined into a single device
- All device settings (timers, sensitivity and groups) programmable through software, no physical adjustments needed
- Ultra low profile and small diameter provides an aesthetically pleasing design
- Draws power from the DALI communication bus to eliminate the need for external power packs
- Sharing sensor data with third party automation systems significantly reduces total bill of materials
- Robust communication interface withstands accidental connection to power lines (up to 347V)
- CE compliant to all relevant standards
- Designed and manufactured to ISO9001:2015 standards.

Overview

The iLight DALI Multi-Sensor combines daylight sensing, occupancy detection and temperature measurement into a single device. The Multi-Sensor communicates over the Digital Addressable Lighting Interface (DALI) and allows for all device settings and groups to be adjusted remotely.



Dimensions

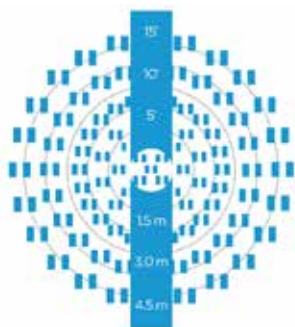


Powering Business Worldwide

Technical Information

Performance	Input Voltage: 9.5 - 22.5 VDC supplied by DALI communication bus
	Coverage: MTS6 = 55m ² or MTS12 = 110m ² at 2.4m ceiling height
	Occupancy Detection Technology: Passive Infrared (PIR)
	Lens Type: Multi-level Fresnel 360°
	Daylight Sensing Range: 0 to 400 lux
	Daylight Sensing Coverage: Light input within 60° cone
	Temperature Detection Range: 0°C to 40°C
	Status Indicator: LED
Wiring & Mounting	DALI: 0.75mm ² (18 AWG) stranded PTFE plenum rated non-polarized pair
	Mounting: 101.5mm (4") octagon junction box or 76mm (3") hole in ceiling tile
Control Specification	Communication Interface: Digital Addressable Lighting Interface (DALI)
	DALI Current Draw: 3.75mA
Standards	Manufactured in an ISO 9001 certified factory

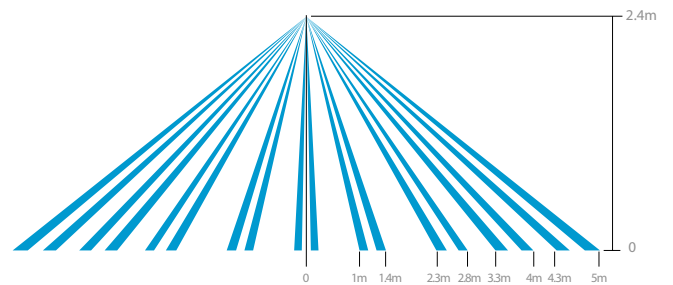
Detection



MTS6 Coverage

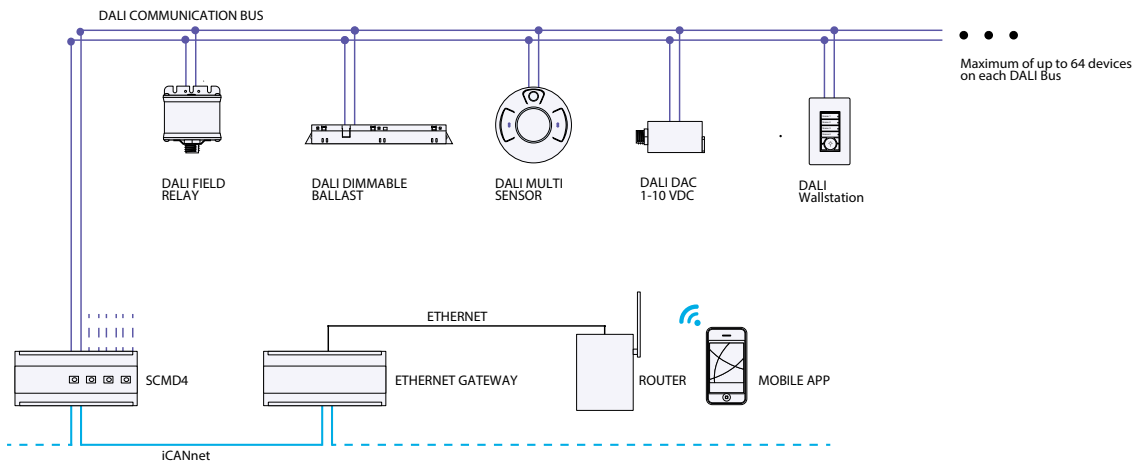


MTS12 Coverage



MTS6 Coverage

Typical Schematic



Contact your local Eaton office

T: +44 (0)1923 495495 F: +44 (0)1923 228796
E: enquiries@iLight.co.uk www.iLight.co.uk

Eaton Lighting Systems
20 Greenhill Crescent,
Watford Business Park,
Watford, Herts, WD18 8JA. UK
eatonlightingsystems.com

© 2018 Eaton
All Rights Reserved

MTS6 & MTS12 Rev4 0318

Changes to the products, to the information contained in this document, and to prices are reserved; so are errors and omissions.

Eaton is a registered trademark.

All other trademarks are property of their respective owners.