

## NS3

### Network Ceiling Sensor with Combined PIR, Daylight and IR Control

#### Key Features

- Excellent sensitivity to small movements using Quad-Pyro technology
- Greater sensor stability with reduced noise susceptibility
- 360 degree detection area
- Ceiling flush mounted for a low profile, unobtrusive installation
- Compact 49mm diameter size ideal for suspended ceilings, chilled beam and In fill plate applications
- Connects directly to the iLight iCANnet™ Network
- Configuration stored in Non Volatile EEPROM
- Firmware storage in reflashable FLASH memory over iCAN network
- CE compliant to all relevant standards
- Designed and manufactured to ISO9001:2015 standards

#### Overview

The NS3 multi sensor can be connected directly to the iLight iCANnet™ Network via CAN terminals. It features 3 functions: PIR motion detection, daylight measurement and an infra-red receiver. All three functions may be programmed within the iLight software according to specific user needs.

This sensor features a movement detection coverage of up to 8.5m diameter depending on installation height with PIR detection optimised for Slight Motion for superior performance.

The PIR feature may be set in absence or presence detection mode with variable programmable timing.

The daylight feature is used to maintain constant light level where controlled luminance (daylight linking) is required.

In operational mode the infrared receiver may select scenes, turn lighting on/off and adjust levels locally with the iLight remote controller (HH171R).



The NS3-C sensor's combined features ensure maximum energy savings as well as great flexibility for the user.



### Suitable For

Cellular office  
 Open plan office  
 School classroom  
 Lecture theatre  
 Retail complex  
 Public library  
 Sports hall  
 Airport terminal  
 Hospital wards  
 Factory production area  
 Corridor & staircases  
 Foyer & atriums  
 Plant room  
 Storeroom  
 Consulting room  
 Meeting room

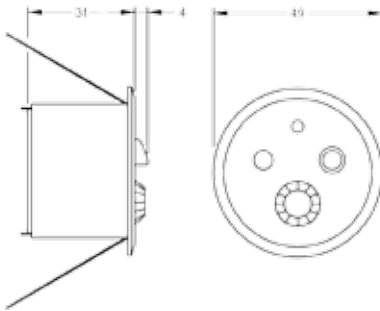
### Technical Information

Construction: Circular plastic housing  
 UL94 V0 rated  
 Dimensions:  
 Diameter front 49mm, rear 39mm Depth 30mm  
 Fixing: 2 x spring clips  
 Mounting Hole Diameter: 40 to 45mm Diameter  
 depending on ceiling material  
 Weight: 35g  
 Temperature: 0 to 45°C (non condensing)  
 Supply: 9 - 24V dc (regulated)  
 Load data: 10m A @ 15V  
 Max recommended mounting height: 3.4m

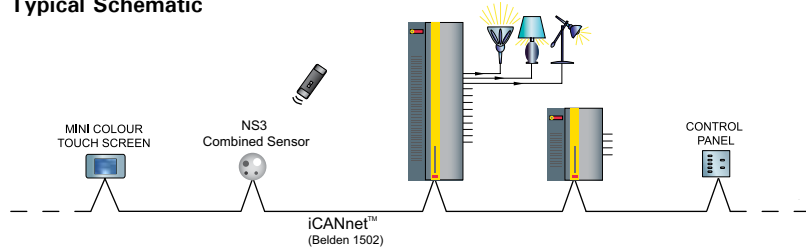
### Operating Parameters

- Connects directly to the iLight Network
- Controls any luminaire anywhere on the System
- Presence and Absence functionality
- Light Thresholds, Scenes and Time Outs programmed & adjusted at any time in software.
- Built-in flexibility to suit individual user requirements

### Dimensions



### Typical Schematic



### Options

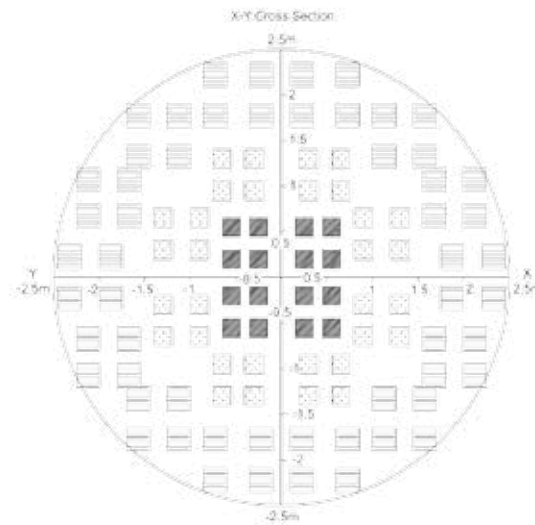
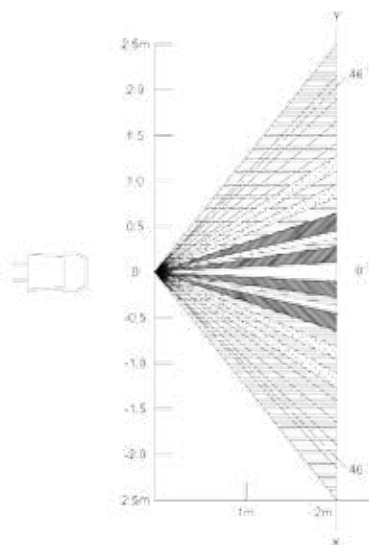


Remote Controller - HH171R  
 (Order Separately)



Surface mounting box - AX-SMA1  
 (Order Separately)

### Detection



Detection Area - Zone patterns at the optimal slight motion detection distance of 2m from sensor

The differences in the detection zone patterns are indicative of the projections of the 26 lenses with single focal point and with three optical axis.

An object whose temperature differs from the background temperature and which crosses inside the detection zone will be detected.

Detection range is typically calculated at the working plane (900mm off the floor)

### Contact your local Eaton office

T: +44 (0)1923 495495 F: +44 (0)1923 228796  
 E: enquiries@iLight.co.uk www.iLight.co.uk

**Eaton Lighting Systems**  
 20 Greenhill Crescent,  
 Watford Business Park,  
 Watford, Herts, WD18 8JA. UK  
 eatonlightingsystems.com

© 2018 Eaton  
 All Rights Reserved

Document No: NS3 Rev4 0318

Changes to the products, to the information contained in this document, and to prices are reserved; so are errors and omissions.

Eaton is a registered trademark.

All other trademarks are property of their respective owners.



Powering Business Worldwide

