



PE2-EXT

External Ceiling Surface Mounted Photocell

Key Features

- Photocell used to determine light level in an exterior space
- IP65 rated
- Operating range: 0-2000 lux Max
- Designed to be surface mounted
- Designed for use with iLight UIM as part of an iLight lighting control system
- CE compliant to all relevant standards
- Designed and manufactured to ISO9001:2015 standards

Electrical

Supply: 5Vdc (via iLight UIM interface unit)

Power consumption: 0.5mW max
(When used with UIM)

Mechanical

Climate Range: IP65

Temperature: -30°C to +60°C

Humidity: +5 to 95% non condensing

Mounting: Surface Mounted - avoid water falling directly on face

Recommended maximum cable length

between UIM and sensor: 10m (screened)

Location: The sensor should be mounted on a rigid surface a suitable distance away from any light sources

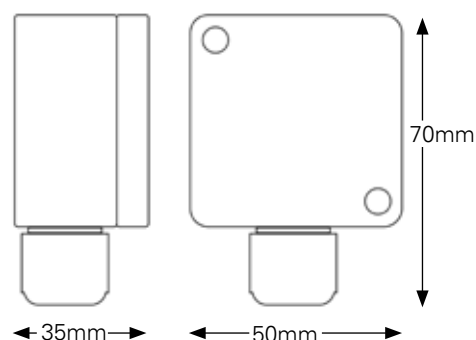
Overview

PE2-EXT is an IP65, exterior surface mounted Photo-diode Sensor designed for measuring light level. Used as an input device to iLight networks, ambient light levels can be controlled by dimming and switching artificial lighting when needed to save energy. Used with an iLight UIM (Mini Universal Interface), iCANsoft may be programmed to control threshold lighting levels and instigate network commands. Multiple light level commands are also possible, consult iLight for detailed system design.

A range of interior sensors including photocells are also available.



Dimensions



Powering Business Worldwide

Contact your local Eaton office

T: +44 (0)1923 495495
E: enquiries@iLight.co.uk

F: +44 (0)1923 228796
www.iLight.co.uk

Eaton Lighting Systems
20 Greenhill Crescent,
Watford Business Park,
Watford, Herts, WD18 8JA. UK
eatonlightingsystems.com

© 2018 Eaton
All Rights Reserved

Document No: PE2-EXT Rev2 0318

Changes to the products, to the information contained in this document, and to prices are reserved; so are errors and omissions.

Eaton is a registered trademark.

All other trademarks are property of their respective owners.

