

COOLBRIUM

Touch Plate



Coolbrium is a smart phone inspired touch sensitive keypad with up to eight programmable buttons which can be configured to control lights in any format desired. Available with a bespoke Black or White glass fascia as standard the touch buttons can be engraved to suit individual applications.

Buttons can be programmed to recall a scene, toggle a scene ON and OFF, RAISE or LOWER lighting levels, control blinds.

Coolbrium is just one of a range of keypads and user interfaces available from Mode Lighting which have been designed to offer the user a wide selection of finishes, button styles, layouts and overall styling.

All keypads connect using the M-BUS network and systems can be controlled to allow any button to control any single group or groups of lighting as required.

Key Features

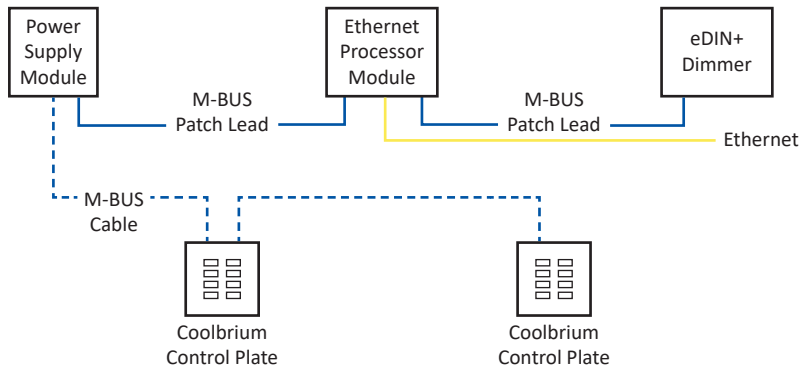
- » Single gang plate.
- » Stylish screwless fascia plate.
- » Available in either Black or White glass as standard.
- » Multi function button action - Scene Recall, Impulse and Toggle.
- » Indicator LEDs with seven user selectable RGB colours and intensity. Red, Green, Blue, Magenta, Cyan, Orange and White.
- » Extensive library of laser etched button icons with custom designs available on request.
- » Two volt free contact switch inputs - individually addressable and configurable.
- » Different fascia finishes available on request.
- » 2 year warranty.

EVOLUTION
IT WAS ONLY A MATTER OF TIME

eDIN+



System Architecture



Technical Data

Power	
Power Supply	» +24V (from dataline)
Connections & Cable Specifications	
M-BUS	» Fast, flexible installation using M-BUS cable
Configurable I/O	» 1mm ² rising clamp screw terminals » Any mains rated cable (e.g. 1mm ² 2 core)
Mechanical	
Material	» Stainless steel and ABS plastic
Dimensions	» 87mm High x 87mm Wide x 35mm Deep
Fixing	» Suits standard UK single gang back box (47mm deep type)
Fascia Finishes	» Black Glass (CBM-S-BLK-44) » White Glass (CBM-S-WHI-44)

Plate Finishes Available

Standard Plate Finishes



BLK - Black Glass



WHI - White Glass

Installation should be in accordance with the relevant National Wiring Regulations and other applicable Regulations. Compliance to EC EMC and Low Voltage Directives may be invalidated if not used or installed according to the published specification.

Mode reserve the right to amend the product specification or design at any time and without notice.



Mode Lighting Limited. The Maltings, 63 High Street, Ware, Hertfordshire, SG12 9AD. United Kingdom.
Tel: +44 (0) 1920 462121 | Fax: +44 (0) 1920 466881 | Email: sales@modelighting.com | www.modelighting.com