

# GENEVA Control Plate



Geneva brings the flexibility of Mode Lighting systems to the custom integration and European markets. Designed to suit standard UK and European back boxes the Geneva plate has a design tailored to the AV and integration markets in the UK and across Europe.

Clear lines, laser engravable buttons and a variety of standard and custom finishes make Geneva a very popular choice for lighting control.

Buttons can be programmed to recall a scene, toggle a scene ON and OFF, RAISE or LOWER lighting levels, control blinds.

Geneva is just one of a range of keypads and user interfaces available from Mode Lighting which have been designed to offer the user a wide selection of finishes, button styles, layouts and overall styling.

All keypads connect using the M-BUS network and systems can be controlled to allow any button to control any single group or groups of lighting as required.



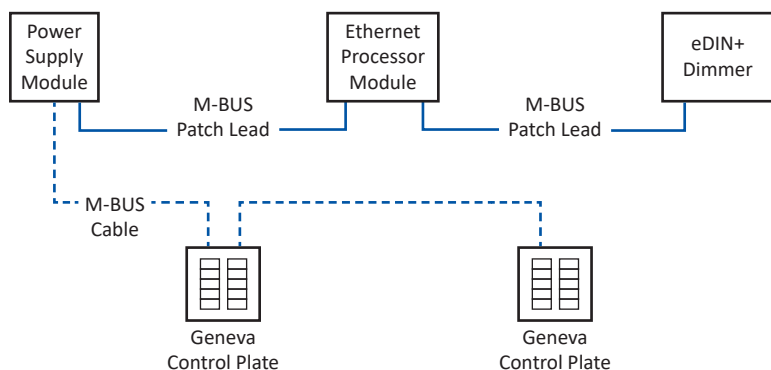
## Key Features

- » Designed to fit UK and European back boxes.
- » Single gang plate.
- » 10 and 5 button options as standard.
- » Stylish screwless fascia plate.
- » Buttons available in either anthracite or white.
- » Custom configurations available to order.
- » Multi function button action - Scene Recall, Impulse and Toggle.
- » Indicator LEDs with seven user selectable RGB colours and intensity. Red, Green, Blue, Magenta, Cyan, Orange and White.
- » Extensive library of laser etched button icons with custom designs available on request.
- » A volt free contact switch input - addressable and configurable.
- » Keypad lockout.
- » Fault condition feedback via LED flashing.
- » Different fascia finishes available.
- » 2 year warranty.

**EVOLUTION**  
IT WAS ONLY A MATTER OF TIME



## System Architecture



## Technical Data

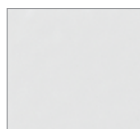
Power	
Power Supply	» +24V (from dataline)
Connections & Cable Specifications	
M-BUS	» Fast, flexible installation using M-BUS cable
Configurable I/O	» 1mm <sup>2</sup> rising clamp screw terminals » Any mains rated cable (e.g. 1mm <sup>2</sup> 2 core)
Mechanical	
Material	» Stainless steel and ABS plastic
Dimensions	» 87mm High x 87mm Wide x 35mm Deep
Fixing	» Suits standard UK single gang back box (47mm deep type)
Fascia Finishes	» Brushed Stainless Steel with Anthracite frame (GVA-S-BSS-ANT-**) » Brushed Stainless Steel with White frame (GVA-S-BSS-WHI-**) » Anthracite with Anthracite frame (GVA-S-ANT-ANT-**) » White with White frame (GVA-S-WHI-WHI-**) » Other finishes available as a custom build
Button Configurations	» 5 Buttons (GVA-SGP-50-***) » 10 Buttons (GVA-SGP-55-***)
Button Colour Finishes	» Anthracite Buttons (GVA-BT-ANT-**) » White Buttons (GVA-BT-WHI-**)

## Plate Finishes Available

### Standard Plate Finishes



BSS – Brushed Stainless Steel



WHI – White



ANT – Anthracite

Installation should be in accordance with the relevant National Wiring Regulations and other applicable Regulations. Compliance to EC EMC and Low Voltage Directives may be invalidated if not used or installed according to the published specification.

Mode reserve the right to amend the product specification or design at any time and without notice.



Mode Lighting Limited. The Maltings, 63 High Street, Ware, Hertfordshire, SG12 9AD. United Kingdom.  
Tel: +44 (0) 1920 462121 | Fax: +44 (0) 1920 466881 | Email: sales@modelightning.com | www.modelightning.com