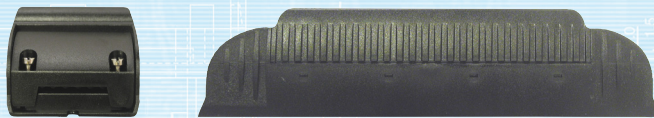
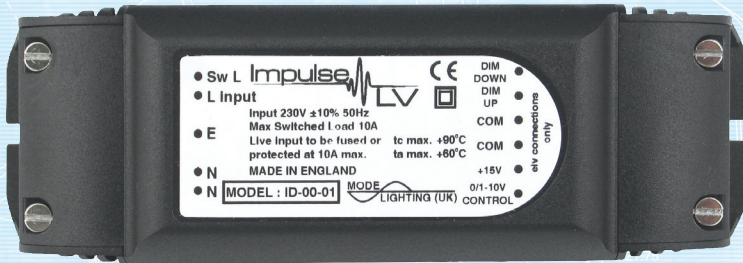


In Line Dimmer: Impulse

ID-00-01



- MAINS SWITCHED 1/10V 1000W In-Line Dimmer
- USES EXISTING Switch Plate Wiring
- CONTROLLED BY Any Momentary Switch
- CONFORMS TO EC EMC and LV Standards
- ON, OFF, DIM UP, DIM DOWN Functions
- MULTI-POSITION Dimming Control
- FULLY ISOLATED Switch Plate Input
- OPERATES 1-10V Fluorescent
- MODE products are guaranteed for two years.

Impulse

TECHNICAL DATA

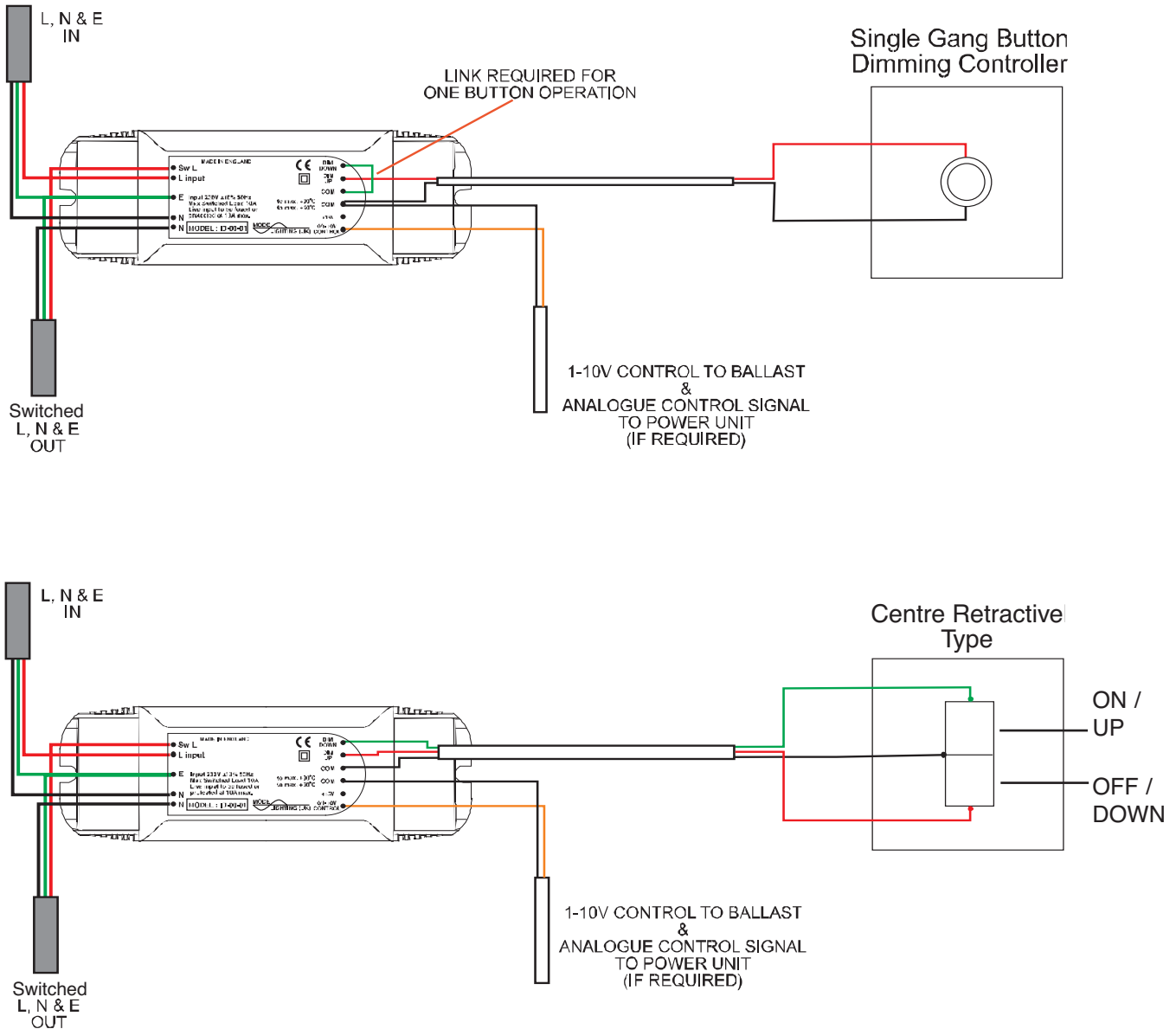
	ID-00-01
Circuit Supply	200 - 250 Volts, 50 - 60Hz
Channel Output	1000 Watts resistive or 500 Watts inductive.
Channel Fuse	IEC60127 6.3 Amp. (F) (spare fuses available from Mode).
Output	Switched mains output 1-10V dimming.
Control Input(s)	Isolated input(s) from Volt free switch.
Case Material	Flame retardant Polycarbonate to UL94-VO
Case Colour	Black

	ID-00-01
Overall Length	150mm
Overall Width	49mm
Overall Depth	35mm
Weight	150g
Standards	Complies with EC EMC and LV Directives

DESCRIPTION

The Mode Impulse is a remote dimmer that can be operated by any momentary or centre retractive type switch. A single switch can be used to provide On, Off, Dim Up, Dim Down operation. Two switches on one plate can be used to provide On and Dim Up from one switch and Off and Dim down from the second switch. It can also be used for multi-position, multi-gang, dimming control. Impulse LV provides mains switching and 1-10V control of lighting loads and is suitable for control of 1-10V MF ballasts and LED drivers. It can also control Mode Slave Power Units for high power applications and provide switching / control of lighting / fans / other devices. All Mode products are guaranteed for a two year period.

ID-00-01 WIRING DETAILS



COMPANY SUMMARY

Mode was established in 1970 as an Original Equipment Manufacturer in Hertfordshire, England. Mode designs and manufactures electronic products principally for the lighting industry, initially supplying the discotheque market and more recently expanding into the architectural and cruise ship markets. Mode is a subsidiary of a privately owned Holding Company and has four associated electronic companies who together trade as "The Mode Group".