

RS232 Interface

▶ MBUS-INT-232



The RS232 Interface is compatible with Evolution control systems which both use the standard Mode Lighting M-BUS network. The small form factor and multi-device connectivity makes the MBUS-INT-232 a flexible addition to any system.



CONTROLLING THE FUTURE OF LIGHTING

▶ PRODUCT INFORMATION

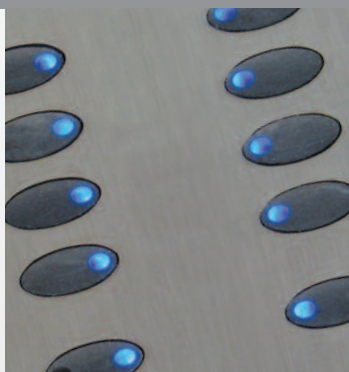
- ▶ M-BUS TO RS232 bi-directional gateway.
- ▶ INDIVIDUALLY ADDRESSABLE.
- ▶ COMPACT SIZE for mounting in AV cabinets.
- ▶ SCREW TERMINALS, RJ-10 and RJ-45 for MBUS connection.
- ▶ CONFIGURABLE data settings (baud rate, data bits etc...)
- ▶ RTS/CTS handshaking (configurable).
- ▶ MODE products are guaranteed for two years.



The RS232 Interface extends the integration capabilities of the Mode Lighting control system by adding extra RS232 connections. The interface is bi-directional allowing the systems to send commands to external devices and receive commands from integration control systems, touch screens, and PC's.

▶ INTEGRATION

RS232 is widely used for connecting different devices together. Commonly used in building management applications, the advent of whole home controls has seen this protocol become the standard for simple custom installation and integration.

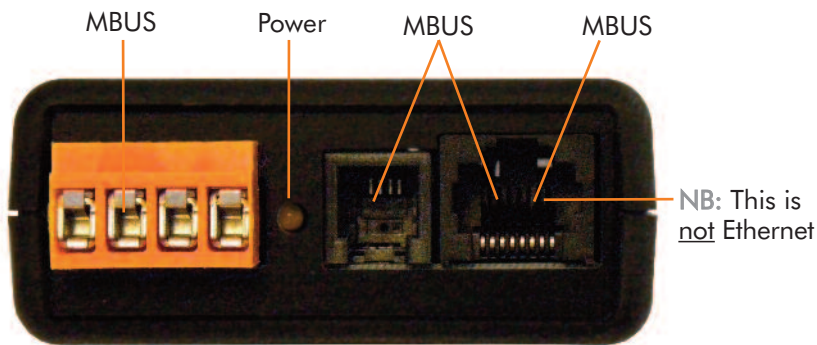
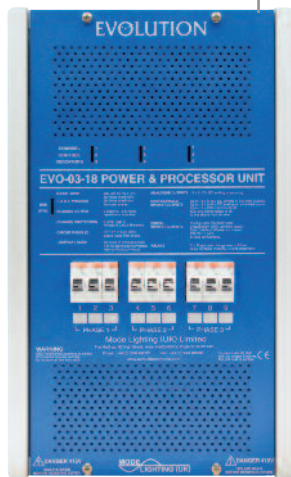


CONTROLLING THE FUTURE OF LIGHTING

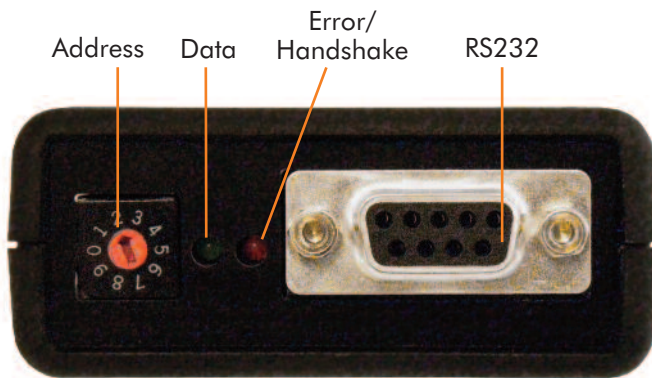
Mode Lighting (UK) Ltd.
The Maltings, 63 High Street,
Ware, Hertfordshire, SG12 9AD,
United Kingdom.

Tel: +44 (0) 1920 462121
Fax: +44 (0) 1920 466881
email: sales@modelighting.com
www.modelighting.com

▶ MODULE WIRING



Right Side of unit



Left Side of unit

▶ INSTALLATION NOTES

Address Settings:

0 = Programming Interface

1-9 = Aux RS232 Port

MBUS	RJ-10	RJ-45
A	1	2, 4, 6
B	4	1, 3, 5
C	3	7
D	2	8

9wD	FUNC.	I/O
2	TX	0
3	RX	I
5	GND	N/A
7	CTS	I
8	RTS	0

MODEL	MBUS-INT-232
Power Supply	+24V DC from Dataline
Protocol	M-BUS and RS232
Configuration	Selectable baud and bit rates (via PC software).
RS232 Commands	Configurable by Evolution Software
MBUS Connection	MBUS - RJ10 Connector, RJ-45 connector and screw terminals
RS232 Connection	9 way D type
Weight	100 grams.
Dimensions	89mm x 57mm x 27mm.
Packed Size	166mm x 105mm x 80mm.
Packed Weight	250 grams.
Standards (EC EMC and Low Voltage Directives)	Complies with EC, EMC and Low Voltage Directives.

▶ COMPANY BACKGROUND

Mode Lighting work closely with Lighting Designers, M & E Consultants, Architects, Quantity Surveyors, Developers, Electrical Contractors and specialist AV installers to ensure the right solution is provided for every individual project. Products designed and manufactured by Mode Lighting include control systems, electronic transformers and LED assemblies. Nearly 40 years of experience in these areas has lead to the creation of a worldwide network of satellite offices, distributors and dealers to provide local sales and technical support to clients on Mode products.

DS214 - V2