

Power Unit: Eight Channel



The Mirage MP-06-08 is a wall mounting, eight channel, Dimmable Power Unit designed for the reliable mains dimming of resistive or inductive lighting loads using Leading Edge Dimming Technology.

Each of the eight circuits is rated at 6.6A resistive or inductive and is protected by an 8A Type C Miniature Circuit Breaker (MCB).

The control input can be either 0-6V or 0-10V from the Mode control systems and there is an emergency alarm override input to bring all lights on in an emergency state.

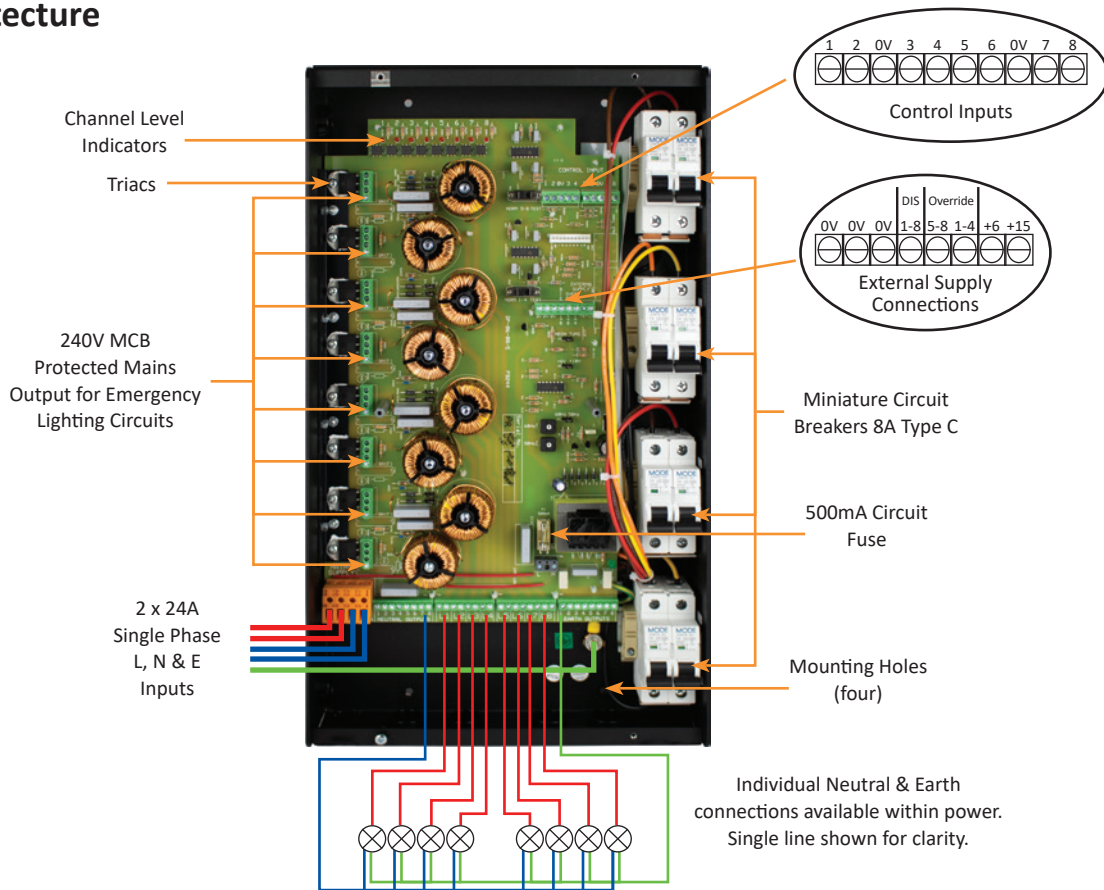
The MP-06-08 is mounted in a black aluminium case with a natural anodised silver front panel.

Key Features

- » Eight dimmable channels of 6.6A resistive or inductive loads.
- » Up to 1.5A of compatible LED load per channel.
- » Leading Edge Dimming Technology.
- » Control input suitable for use with 0-6V and 0-10V controllers.
- » Individual 8A Type C MCB Circuit Protection.
- » Emergency Fixed Live MCB protected outputs for maintained emergency supplies.
- » LED channel monitor to indicate the operation of the output.
- » Supply input 230/240V. 50-60Hz. 2 x 24A maximum (100-125V option available).
- » Internal test switch (2) to enable all eight channels to be locally tested to full on.
- » Triacs with screw fixings can be removed for servicing.
- » External supply low voltage DC for use with remote dimmers and ancillary equipment.
- » Conduit cable entries (eight) 25mm diameter suitable for use with conduits and trunking.
- » Complies with EC EMC and Low Voltage Directives (CE).
- » 2 year warranty.



System Architecture



Technical Data

Power	
Mains Supply	» 230V AC +/- 10% 50/60Hz, 2 x 24A maximum (Same phase)
Control Fuse	» 20mm x 5mm 500mA HRC ceramic
Earth	» This product must be earthed
Connections & Cable Specifications	
Channel Outputs	» Eight channels of 6.6A resistive or inductive loads » Up to 1.5A for LED loads depending on LED de-rating factor » Check with LED lamp manufacturer for recommended number of lamps on an 8A MCB or RCBO*
Load MCB	» Individual Miniature Circuit Breaker (MCB) 8A Type C
Control Input	» 0-6V or 0-10V DC analogue control (selectable)
Override	» Low voltage override using latching device
Mechanical	
Standards	» EN55015, EN61547, EN61000-3-2, EN61000-3-3, EN60439-1, EN60950
Conduit Entries	» Eight off 25mm diameter
Dimensions	» 470mm High x 262mm Wide x 75mm Deep
Fixing Centres	» 432mm x 138mm
Weight	» 4.7kgs
Packed Size	» 485mm High x 280mm Wide x 90mm Deep
Packed Weight	» 5kgs

Note

For additional technical information refer to Installation Guide MP-06-08.

*The maximum number of lamps on a circuit and dimming performance will vary for different lamps and manufacturers. Users should verify performance and dimming range with the lamp manufacturer. For further advice please contact your local distributor or the Mode Lighting Technical team.

Installation should be in accordance with the relevant National Wiring Regulations and other applicable Regulations. Compliance to EC EMC and Low Voltage Directives may be invalidated if not used or installed according to the published specification.

MP-06-08 should be located in well ventilated areas and should not be covered or enclosed by insulating materials.

Mode reserve the right to amend the product specification or design at any time and without notice.



Mode Lighting Limited. The Maltings, 63 High Street, Ware, Hertfordshire, SG12 9AD. United Kingdom.
Tel: +44 (0) 1920 462121 | Fax: +44 (0) 1920 466881 | Email: sales@modelight.com | www.modelight.com