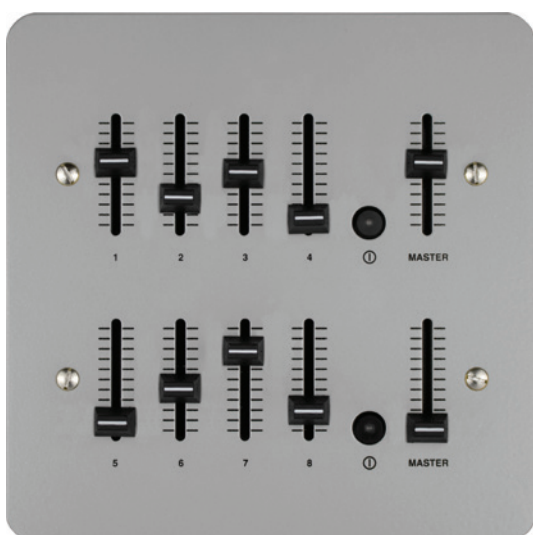
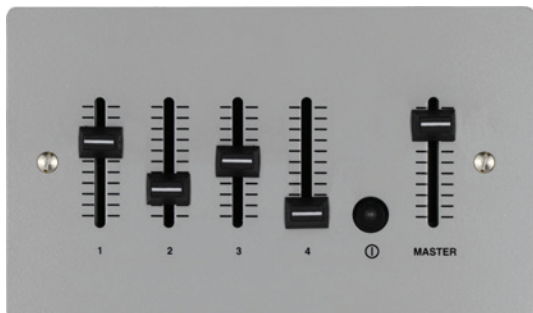


Remote Outstations



Key Features

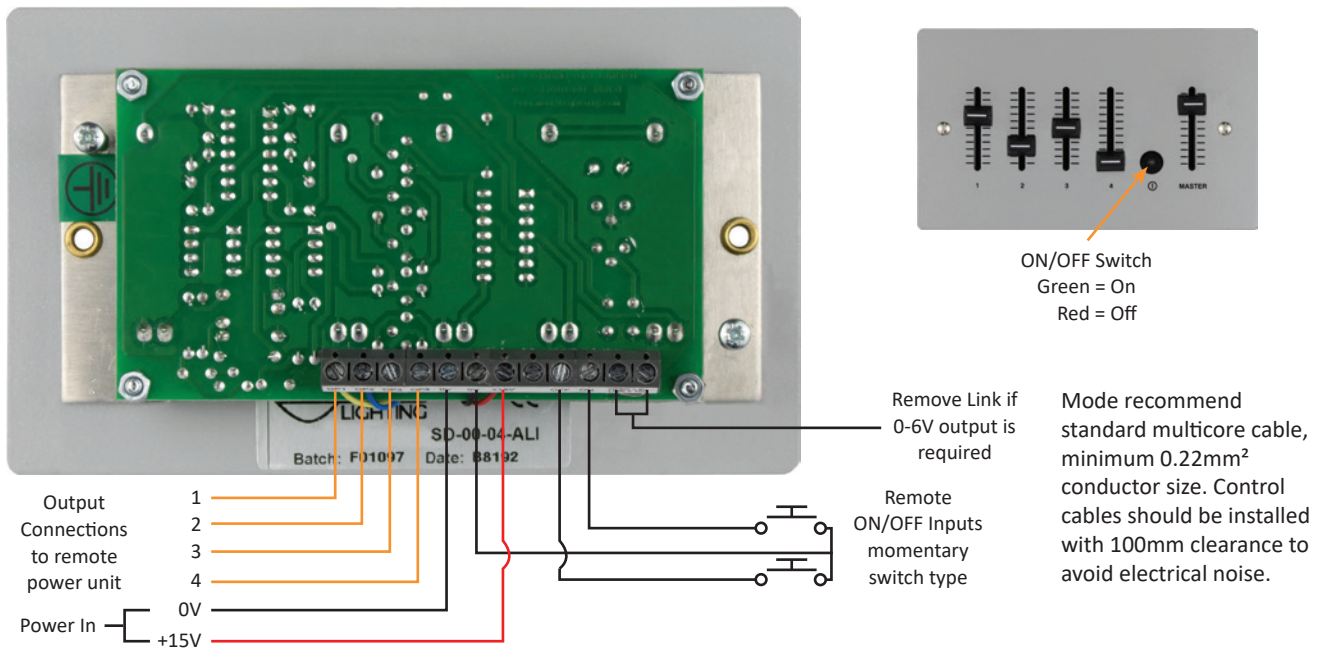
- » 4 and 8 channel slider outstations.
- » Individual channel adjustment.
- » Master slider control.
- » Single button ON/OFF control for each bank of 4 channels.
- » Remote switch ON/OFF override facility.
- » Fit standard backbox sizes (deep type).
- » Complies with EC EMC and Low Voltage Directives (CE).
- » 2 year warranty.

MIRAGE
by Mode

The SD range of remote outstations provide 4 or 8 channels of control to operate Mode Power Units or Relay Units. Each 4 channel bank of sliders has a master slider and ON/OFF button for overall control.



System Architecture



Technical Data

Power		
Power Supply	» +15V DC (available from Mode Power or Relay Units) » Max current required	
Connections & Cable Specifications		
Outputs	» Four or Eight 0-6V or 0-10V DC outputs	
Overrides	» Volt free inputs for ON/OFF control	
Operates	» Mode Mirage remote Power Units and Tiger Power Units	
Mechanical	SD-00-04	SD-00-08
Standards	» EN50081-1, EN50082-1, EN60950	
Connection	» Screw terminals	
Dimensions	» 86mm High x 155mm Wide x 55mm Deep	» 155mm High x 155mm Wide x 55mm Deep
Fixing Centres	» 121mm	» 121mm x 61mm
Weight	» 0.15kgs	» 0.64kgs
Packed Size	» 155mm High x 268mm Wide x 80mm Deep	» 171mm High x 163mm Wide x 80mm Deep
Packed Weight	» 0.24kgs	» 0.73kgs
Plate Finish	» Aluminium	
Back Box Required	» 2 gang back box (not supplied)	» 6/8 gang back box (supplied with unit)

Note
For additional technical information refer to Installation Guide SD-00-04/08.

Compatible Products

The SD range of controls are commonly used with the following products:

- MP-10-01** 1 x 10A mains dimmable power unit.
- MP-10-04** 4 x 10A mains dimmable power unit.
- MP-06-08** 8 x 6A mains dimmable power unit.
- MRP-10-01** 1 x 10A mains switching / 1-10V control relay unit.

See power unit data sheets for further details.

Installation should be in accordance with the relevant National Wiring Regulations and other applicable Regulations. Compliance to EC EMC and Low Voltage Directives may be invalidated if not used or installed according to the published specification.

SD-00-04/08 should be located in well ventilated areas and should not be covered or enclosed by insulating materials.

Mode reserve the right to amend the product specification or design at any time and without notice.



Mode Lighting Limited. The Maltings, 63 High Street, Ware, Hertfordshire, SG12 9AD. United Kingdom.
Tel: +44 (0) 1920 462121 | Fax: +44 (0) 1920 466881 | Email: sales@modelightning.com | www.modelightning.com