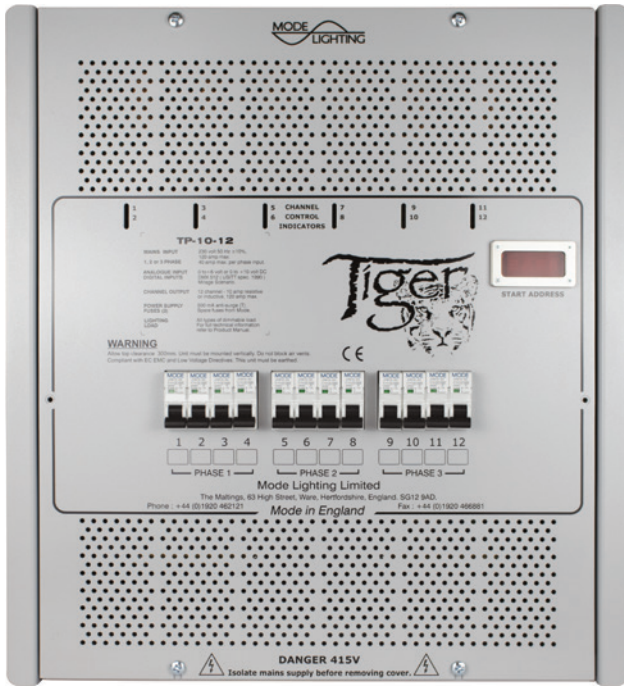


# Tiger Power Unit 12 x 10A



Tiger Power Units offer simple scene setting lighting control in a standard, compact, quick to install, contractor friendly package which can be configured and programmed onsite by the installer or end user without the need for specialist programming tools or training.

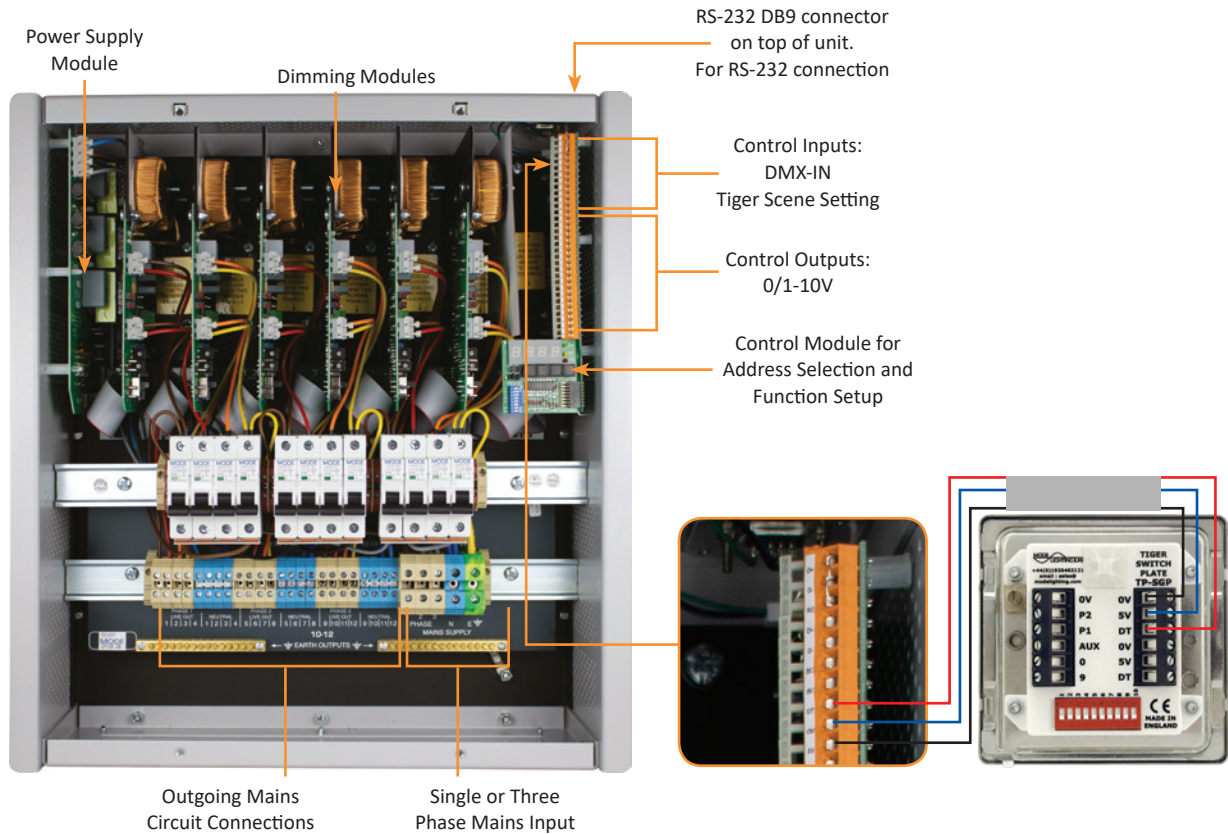
Available in different circuit and power configurations, units can be linked together creating flexible lighting controls for restaurants, bars, spas, boardrooms, theatres and offices.

### Key Features

- » Twelve dimmable channels of 10A resistive or 9A inductive loads.
- » Up to 2A of compatible LED load per channel.
- » Leading Edge Dimming Technology.
- » Three phase or single phase power supply.
- » Individual 10A Type C MCB Circuit Protection.
- » Emergency Fixed Live MCB protected outputs for maintained emergency supplies.
- » DIN rail mounted wiring terminals.
- » Switching and 1-10V dimming.
- » Scene Setting Control.
- » DMX512 and RS-232 Digital Control.
- » Cool operation under full load.
- » Alarm or emergency override.
- » Analogue control inputs.
- » Complies with EC EMC and Low Voltage Directives (CE).
- » 2 year warranty.



### System Architecture



### Technical Data

Power	
Mains Supply	» 230V AC +/- 10% 50/60Hz, single or three phase options
Input Current	» Up to 120A SPN or 40A TPN
Control Fuse	» 20mm x 5mm 500mA HRC ceramic (3)
Connections & Cable Specifications	
Channel Outputs	» Twelve channels of 10A resistive or 9A inductive loads » Up to 2A for LED loads depending on LED de-rating factor » Check with LED lamp manufacturer for recommended number of lamps on a 10A MCB or RCBO*
Output Type	» Leading Edge Dimming, switching and 1-10V output
Circuit Protection	» Individual Miniature Circuit Breaker (MCB) 10A Type C » RCBOs available to special order
Control Input	» Tiger Scene Setting, RS-232, DMX, 0-10V
Mechanical	
Standards	» EN55015, EN61547, EN61000-3-3, EN60439-1, EN60950
Conduit Entries	» Eight off 32mm diameter or removable panel
Dimensions	» 534mm High x 482mm Wide x 160mm Deep
Fixing Centres	» 452mm x 464mm
Weight	» 17kgs
Packed Size	» 600mm High x 550mm Wide x 250mm Deep
Packed Weight	» 19kgs

**Note**

For additional technical information refer to Installation Guide TP-10-12.

\*The maximum number of lamps on a circuit and dimming performance will vary for different lamps and manufacturers. Users should verify performance and dimming range with the lamp manufacturer. For further advice please contact your local distributor or the Mode Lighting Technical team.

Installation should be in accordance with the relevant National Wiring Regulations and other applicable Regulations. Compliance to EC EMC and Low Voltage Directives may be invalidated if not used or installed according to the published specification.

TP-10-12 should be located in well ventilated areas and should not be covered or enclosed by insulating materials.

Mode reserve the right to amend the product specification or design at any time and without notice.



Mode Lighting Limited. The Maltings, 63 High Street, Ware, Hertfordshire, SG12 9AD. United Kingdom.  
Tel: +44 (0) 1920 462121 | Fax: +44 (0) 1920 466881 | Email: sales@modelightning.com | www.modelightning.com