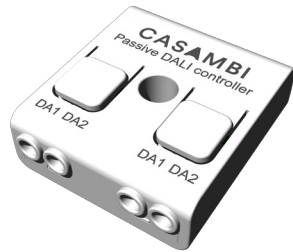


CBU-DCS

Bluetooth controllable DALI controller



Description

CBU-DCS is a Bluetooth controllable, Casambi enabled DALI controller. CBU-DCS does not have its own power supply. Instead, it is powered directly from a DALI bus.

CBU-DCS can be used with a DALI sensor for presence detection or daylight harvesting, or it can be used for controlling DALI drivers that have an integrated DALI bus power supply.

CBU-DCS can be controlled with Casambi app which can be downloaded free of charge from Apple App Store and Google Play Store.

Different Casambi enabled products can be used from a simple one luminaire direct control to a complete and full featured light control system where up to 127 units form automatically an intelligent mesh network.

Installation

CBU-DCS draws its operating power directly from the DALI bus. For this reason, it is important to make sure that the DALI bus is externally powered. If CBU-DCS is connected directly to a DALI sensor or a DALI driver, these products must have an integrated DALI bus power supply. CBU-DCS draws 5 mA in idle mode with 30 mA peak current from the DALI bus.

Use 0,5-1,5 mm² solid or stranded conductor electrical wires. Strip the wire 6-8 mm from the end. Using wire ferrules is not recommended. Press the buttons on top of the dimmer case and insert the wires into the corresponding holes. The polarity of DA1 and DA2 does not matter.

CBU-DCS has two sets of connectors. These connectors are internally connected in parallel with each other. This way the DALI bus can be routed through the product for easy installation.

CBU-DCS, as any other Casambi product, should not be placed in a metal enclosure or next to large metal structures. Metal will effectively block radio signals which are crucial to the operation of the product. A thorough connectivity testing is strongly recommended in the installation site.

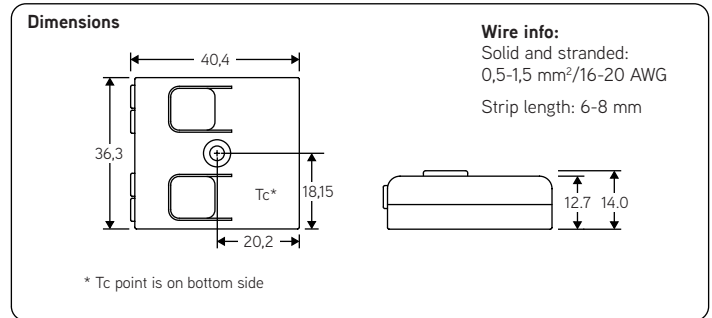
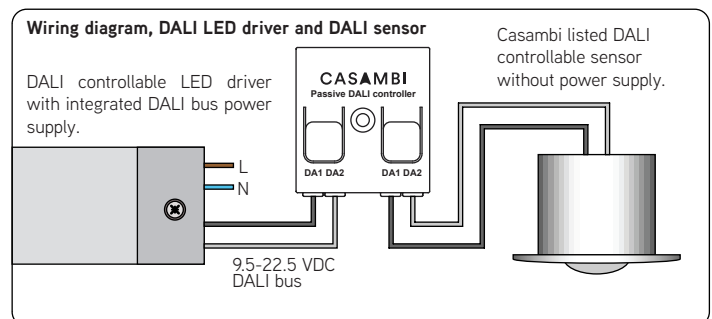
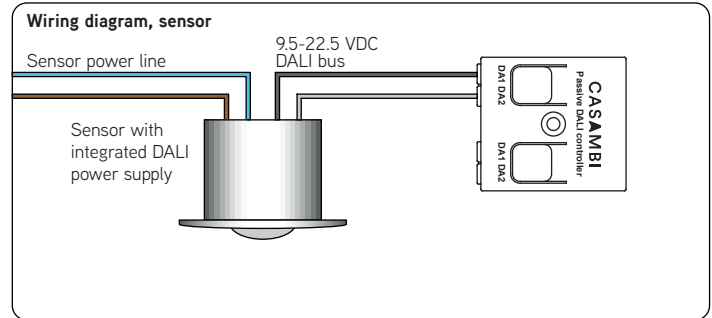
Range

Up to 30 m¹⁾ 50 m¹⁾

Casambi uses mesh network technology so each CBU-DCS acts also as a repeater. Longer ranges can be achieved by using multiple Casambi units.

Compatible devices:
 iPhone 4S or later
 iPad 3 or later
 iPod Touch 5th gen or later
 Android 4.4 KitKat or later devices produced after 2013 with full BT 4.0 support

¹⁾ Range is highly dependant on the surrounding and obstacles, such as walls and building materials.



Disposal Instructions

In line with EU Directive 2002/96/EC for waste electrical and electronic equipment (WEEE), this electrical product must not be disposed of as unsorted municipal waste.

Please dispose of this product by returning it to the point of sale or to your local municipal collection point for recycling.

Technical data

Input	
Voltage range:	9,5-22,5 VDC
Input current when idle, I _{idle} :	5 mA
Peak input current, I _{peak} :	30 mA
Max. DALI bus current:	250 mA
Standby power:	< 0,1 W
Radio transceiver	
Operating frequencies:	2,4...2,483 Ghz
Maximum output power:	+4 dBm
Operating conditions	
Ambient temperature, ta:	-20...+55°C
Max. case temperature, tc:	+65°C
Storage temperature:	-25...+75°C
Max. relative humidity:	0...80%, non-cond.
Connectors	
Wire range, solid & stranded:	0,5 - 1,5 mm ² 16 - 20 AWG
Wire strip length:	6 - 8 mm
Mechanical data	
Dimensions:	40,4 x 36,3 x 14,0 mm
Weight:	15 g
Degree of protection:	IP20 (indoor use only)
Insulation	
Casing to DALI:	Reinforced

CASAMBI
 Lighting control
 for the Modern World

Casambi Technologies Oy
 Bertel Jungin aukio 1E
 02600 Espoo, Finland