



DDBC300-D

DALI Driver Controller

Cost-effective DALI control solution

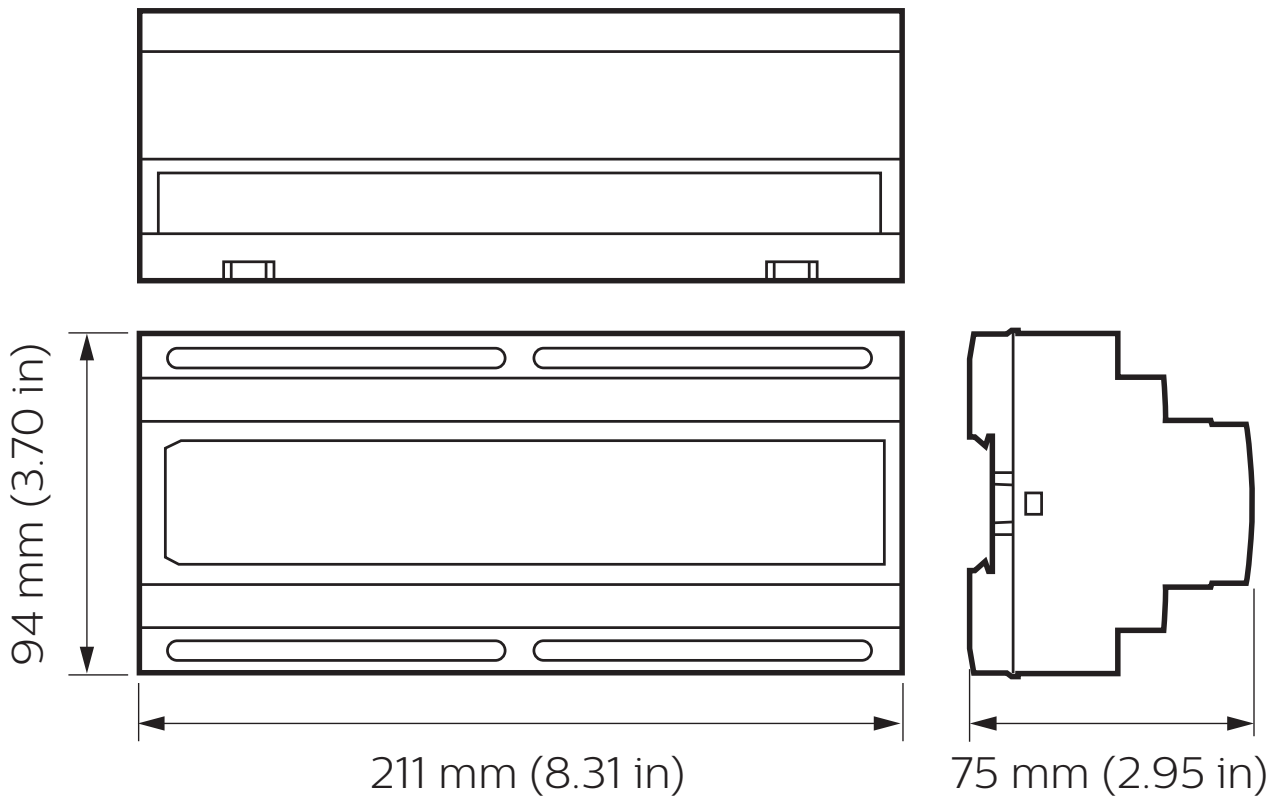
The Philips Dynalite DDBC300-D delivers cost-effective control of DALI drivers through provision of three full universes, totaling 192 DALI addresses.

DDBC300-D

Cost-effective DALI control solution

- **Compatible with a range of DALI fittings and devices** – Including DALI drivers, DALI electronic low voltage transformers and DALI LED fixtures.
- **Fully scalable network solution** – Direct mapping from DALI to the DyNet network protocol eliminates DALI imposed limits, such as maximum group sizes.
- **Flexible mounting solution** – A DIN-rail mountable device, designed to be installed into the distribution board supplying power to the controlled lighting circuit.
- **Integral DALI bus power supply** – Removes the need for provision of a separate external power supply and reduces distribution board wiring complexity.
- **Inbuilt diagnostic functionality** – Features lamp and driver failure reporting, driver run time tracking for each driver and Device Online/Offline status indication.

Dimensions



Specifications

Due to continuous improvements and innovations, specifications may change without notice.



DDBC300-D
DALI Driver Controller

Electrical

Supply Type	Single-Phase
Supply Voltage	100-240 VAC
Supply Current	0.5 A
DyNet DC Output Voltage	12 VDC
DyNet DC Output Current	200 mA
IEC Overvoltage Category	III

Control

Serial Ports	1 x RS-485 3 x DALI
Supported Protocols	DyNet DMX Rx
DMX Rx Channels	192
Control Channel Outputs	3 x DALI Addressing (Supports DALI 207 Tunable White)
Dry Contact Inputs	1 (AUX)
User Input	1 x service switch
Indicators	1 x diagnostic LED
Diagnostic Functions*	Lamp failure reporting Driver failure reporting Driver runtime tracking Device online/offline status

Physical

Dimensions (H x W x D)	94 x 211 x 75 mm (3.70 x 8.31 x 2.95 in)
Packed Weight	0.49 kg (1.08 lb)
Construction	Polycarbonate DIN rail enclosure (12 unit)
Serial Ports	1 x RJ12 1 x 6-way pluggable screw terminal
Serial Port Conductor Size	2.5 mm ² (#12 AWG) (max)
Supply Terminals	3 x screw terminal Line, Neutral, Earth
Supply Terminal Conductor Size	5 mm ² (#10 AWG) (max)
Control Terminals	3 x 2-way screw terminal DA-, DA+
Control Terminal Conductor Size	2.5 mm ² (#12 AWG) (max)
Loop Terminals	2 x screw terminal Loop IN, Loop OUT
Loop Terminal Conductor Size	5 mm ² (#10 AWG) (max)

Environment

Operating Temperature	0° to 40°C ambient (32° to 104°F)
Storage/Transport Temperature	-25° to 70°C ambient (-13° to 158°F)
Relative Humidity	0 to 90% non-condensing
IEC Pollution Degree	II

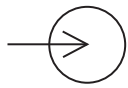
Compliance

Certification	CE, RCM, IEC62386, RoHS
---------------	-------------------------

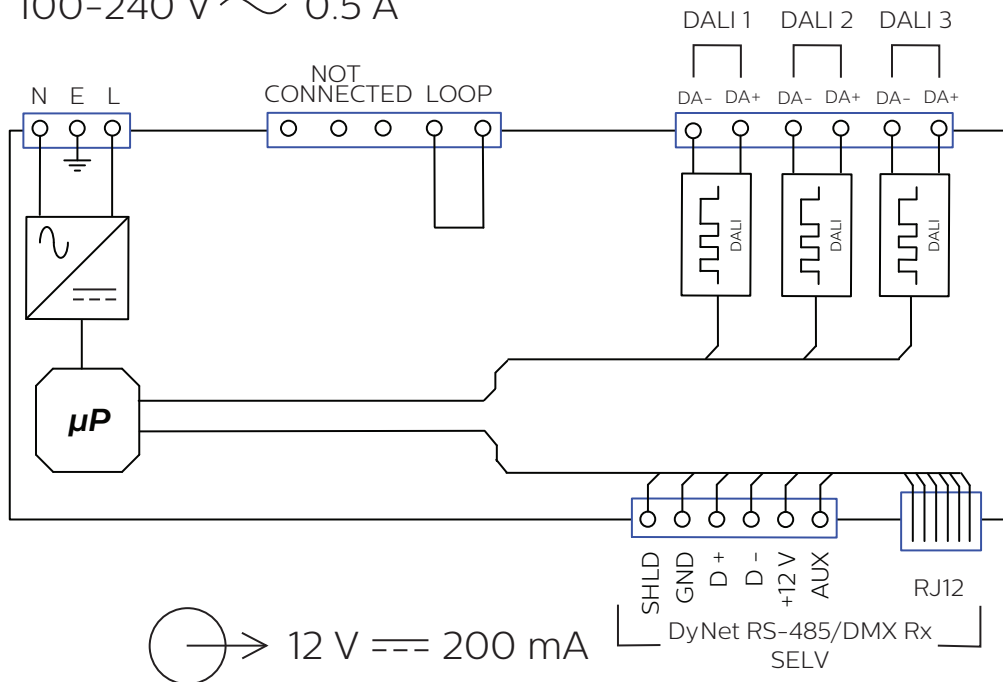
* Philips Dynalite System Manager required for analyzing diagnostic data. The availability of some diagnostics is dependent on driver type.



Electrical



100-240 V ~ 0.5 A



Control Channel Ratings

DALI	Channel	Device
Output Voltage	15 VDC	
Guaranteed Current	128 mA	
Maximum Current	250 mA	
Maximum Drivers	64	192
Insulation	Basic	

Ordering Code

Product

DDBC300-D

Philips 12NC

913703031109



© 2020 Signify Holding. All rights reserved. Specifications are subject to change without notice. No representation or warranty as to the accuracy or completeness of the information included herein is given and any liability for any action in reliance thereon is disclaimed. Philips and the Philips Shield Emblem are registered trademarks of Koninklijke Philips N.V. All other trademarks are owned by Signify Holding or their respective owners.