



DDNG-KNX

KNX Network Gateway

High level KNX integration

The Philips Dynalite DDNG-KNX allows for high level integration between a Philips Dynalite system and BMS using the KNX protocol.

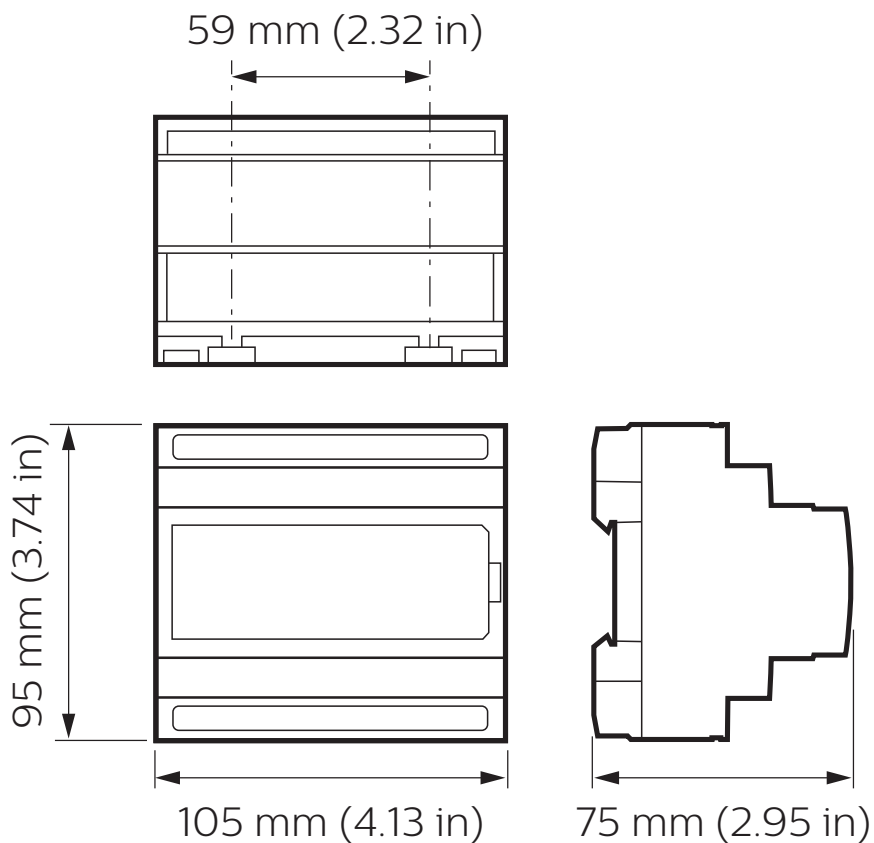
Each DDNG-KNX supports up to 250 KNX datapoints.

DDNG-KNX

High level KNX integration

- **Directly trigger tasks** – Use the building management system (BMS) to directly control DyNet functions.
- **Status request** – Interrogate a Philips Dynalite system to request current status information.
- **User controls included** – DyNet/KNX service switches and DyNet/KNX diagnostic LEDs.

Dimensions



Specifications

Due to continuous improvements and innovations, specifications may change without notice.



DDNG-KNX
KNX Network Gateway

Electrical

Supply Type	DyNet
Supply Voltage	12 VDC
Supply Current	15 mA
Serial Port Isolation	2.5 kV surge
KNX DC Input Voltage	21-30 VDC
KNX DC Input Current	≤ 10 mA
IEC Overvoltage Category	III

Control

Communication Ports	1 x RS-485 1 x KNX
Supported Protocols	DyNet DyNet2 KNX EIB
KNX Datapoints	250
Dry Contact Inputs	1 (AUX)
User Input	1 x DyNet service switch 1 x KNX service switch
Indicators	1 x DyNet service LED 1 x KNX service LED
Diagnostic Functions	Device Online/Offline status

Physical

Dimensions (H x W x D)	95 x 105 x 75 mm (3.74 x 4.34 x 2.95 in)
Packed Weight	0.25 kg (0.55 lb)
Construction	Polycarbonate DIN-rail enclosure (6 unit)
Communication Ports	6 x screw terminal 1 x 2-way pluggable screw terminal
Communication Terminal Conductor Size	2.5 mm ² (#12 AWG) (max)

Environment*

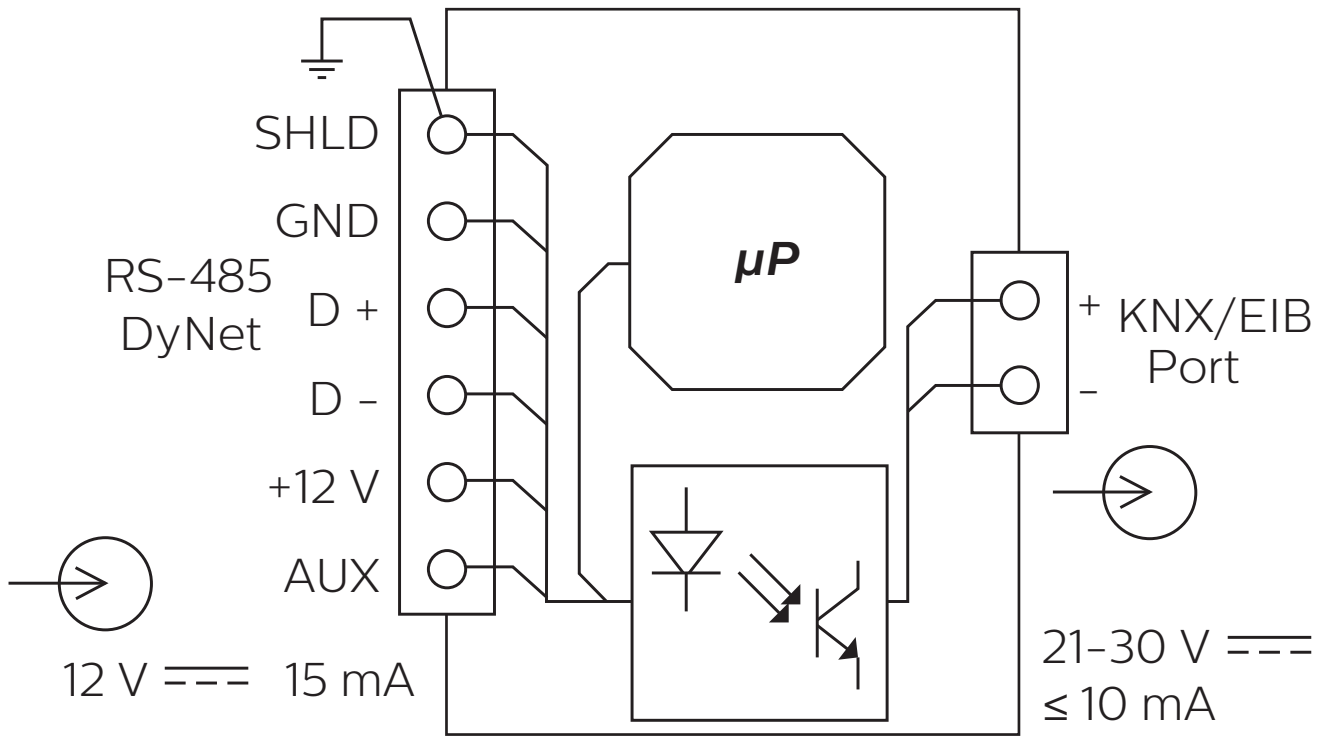
Operating Temperature	-0° to 40°C ambient (32° to 104°F)
Storage/Transport Temperature	-25° to 70°C ambient (-13° to 158°F)
Humidity	0 to 95% non-condensing
IEC Pollution Degree	III

Compliance

Certification	CE, RCM, UKCA, RoHS
---------------	---------------------

* For indoor installation only

Electrical



Ordering Code

Product

DDNG-KNX

Philips 12NC

913703080509



© 2021 Signify Holding. All rights reserved. Specifications are subject to change without notice. No representation or warranty as to the accuracy or completeness of the information included herein is given and any liability for any action in reliance thereon is disclaimed. Philips and the Philips Shield Emblem are registered trademarks of Koninklijke Philips N.V. All other trademarks are owned by Signify Holding or their respective owners.