



Dynalite LED PWM Controllers

DDLEDC605GL

PWM Controller to directly drive LED fittings with pulse width modulation technology

PWM Controller to directly drive LED fittings with pulse width modulation technology

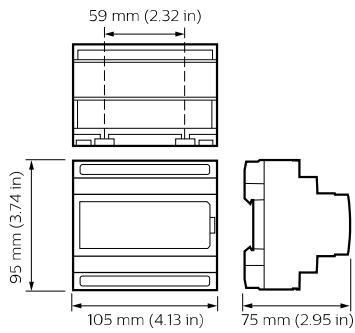
Product data

General Information	
CE mark	CE mark
C-Tick	C-Tick
Remarks	Please download the Lighting - Product Data Sheet for more information and ordering options
EU RoHS compliant	Yes
Application Conditions	
Ambient temperature range	0 to +40 °C
Product Data	
Full product code	871016351646200

Order product name	DDLEDC605GL
EAN/UPC - Product	8710163516462
Order code	913703061209
Numerator - Quantity Per Pack	1
Numerator - Packs per outer box	1
Material Nr. (12NC)	913703061209
Net Weight (Piece)	0.207 kg
Catalog Number	-
Catalog Number Description	DMX/Dynet via converter interface.

Dynalite LED PWM Controllers

Dimensional drawing



Dynalite Trailing Edge Dimmers

