



Wired

data sheet

# COVER PLATES - WVF Range

SCREW-FIXING COVER PLATES FOR WIRED CONTROL MODULES



## Screw-fixing cover plate options

The WVF range of cover plates for the WCM 50x50mm push-button module are suitable for flush mount fixing into a minimum 35mm deep UK back box, using the plastic clear grid.



White Metal



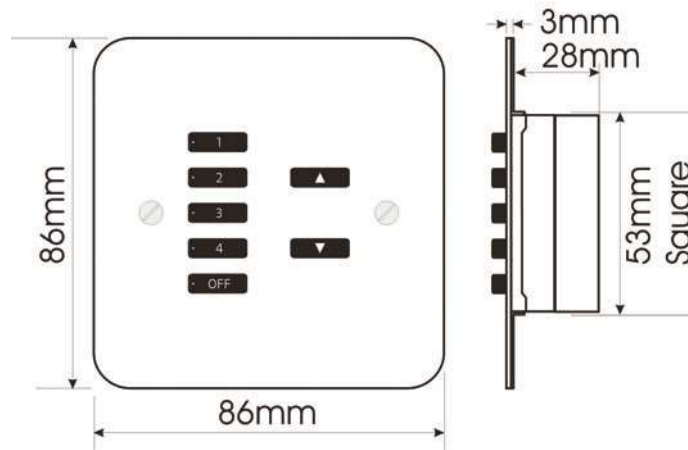
Brushed Stainless Steel



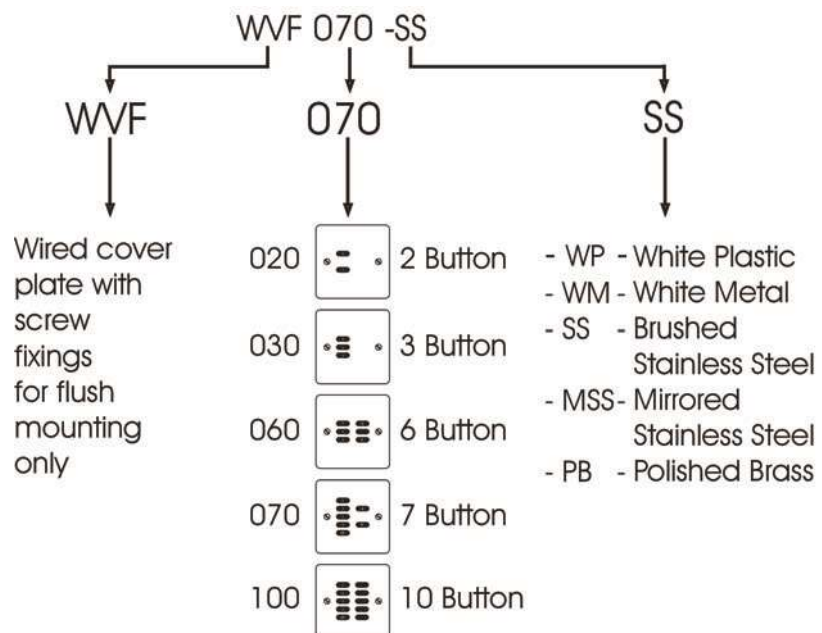
Mirrored Stainless Steel



Polished Brass



Flush mounting into a 35mm deep (minimum) standard UK backbox





Wired

data sheet

# COVER PLATES - WLF Range

SCREWLESS COVER PLATES FOR WIRED CONTROL MODULES



White Plastic



Brushed Stainless Steel



Mirrored Stainless Steel



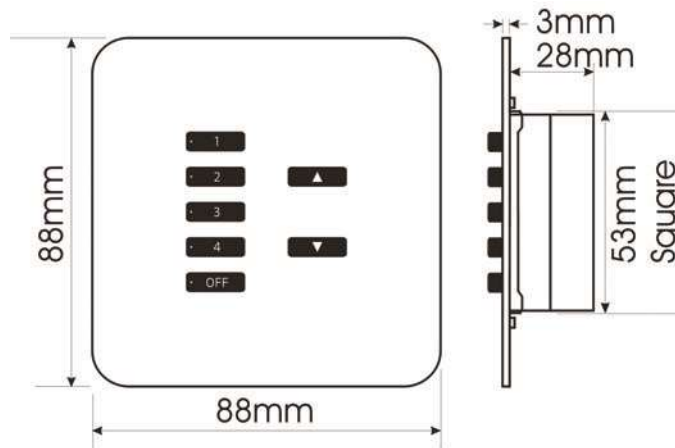
Polished Brass



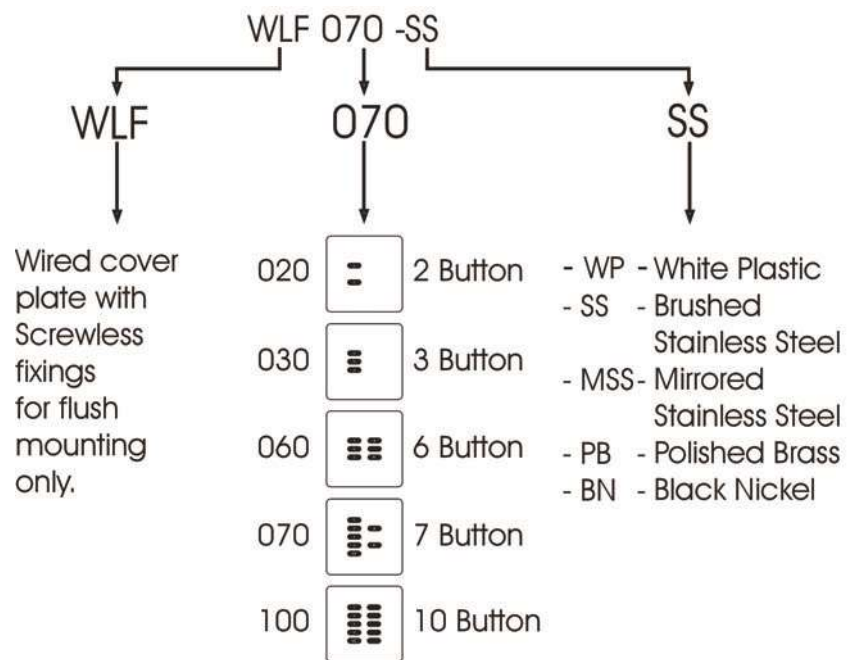
Black Nickel

## Screwless cover plate options

The WLF range of cover plates for the WCM 50x50mm push-button module are suitable for flush mount fixing into a minimum 35mm deep UK back box, using the low profile grid supplied.



Flush mounting into a 35mm deep (minimum) standard UK backbox



telephone +44 (0) 1634 226666 fax +44 (0) 1634 226667 [www.rakocontrols.com](http://www.rakocontrols.com)

WE RESERVE THE RIGHT TO CHANGE THE SPECIFICATION AND DATA HEREWITH WITHOUT NOTICE.

© 2014 RAKO CONTROLS LIMITED