



Dynalite Integration Devices

DDNG485

Flexible network communications gateway for DyNet RS-485 networks

Flexible network communications gateway for DyNet RS-485 networks

Product data

General information	
CE mark	CE mark
Type description - long text	Flexible network communications gateway for DyNet RS-485 networks
Remarks	Please download the Lighting - Product Data Sheet for more information and ordering options
EU RoHS compliant	Yes

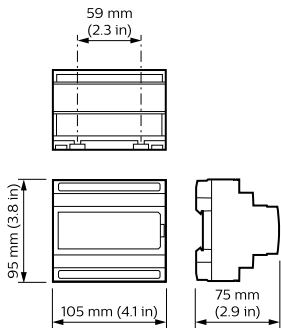
Application conditions	
Ambient temperature range	0 to +50 °C

Product data	
Full product code	871016350787300

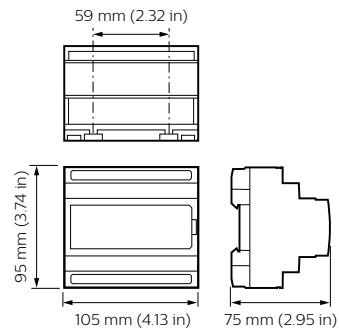
Order product name	DDNG485
EAN/UPC - Product	8710163507866
Order code	913703081209
Numerator - Quantity Per Pack	1
Local code description	MODULO CONTROLE DDNG485
Numerator - Packs per outer box	1
Material Nr. (12NC)	913703081209
Net Weight (Piece)	0.170 kg

Dynalite Integration Devices

Dimensional drawing



DDNG485



DDNG485

