



Wireless  
data sheet  
**RML500**

500W LEADING EDGE DIMMER



**WHAT IS IT ?**

A compact 500w RF dimmer designed to fit through the aperture of a standard low voltage down light fitting.

The dimmer is connected in-line before the first light fitting, to enable dimming of up to 500w of leading edge dimmable loads.

Controlled from any Rako Rakom RF device, for example the RCM/RCP push button RF wall plate.

The RML500 in-line RF dimmer for Tungsten, Low Voltage Halogen and other leading edge dimmable loads.



**IN CONTROL**

Designed to fit in a ceiling void or cupboard, the RML500 inductive dimmer can control up to 500 watts of mains dimmable lighting loads. The unit can also be used for exterior lighting control applications, with the use of a weatherproof IP rated enclosure.

With protection features such as field replaceable fuse, over-temperature and voltage surge protection.

Programmed using either an RCM/RCP RF wallplate or the RASOFT PC software suite, the unit stores the House, Room and Channel address plus 16 preset scene levels in non volatile memory.

The RML500 dimmer can be controlled from any Rako transmitter such as RCM/RCP wallplates, RAH hand helds and Bridge modules and is the ideal accessory to any Rako scene-set system.



Wireless  
data sheet  
**RML500**

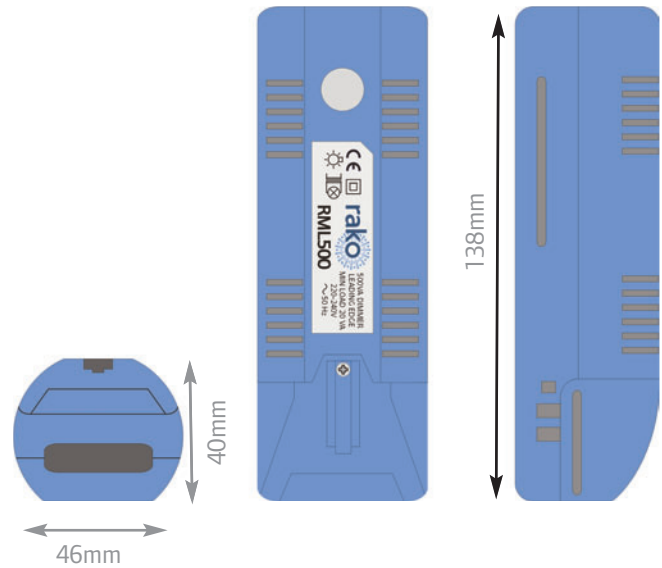
500W LEADING EDGE DIMMER



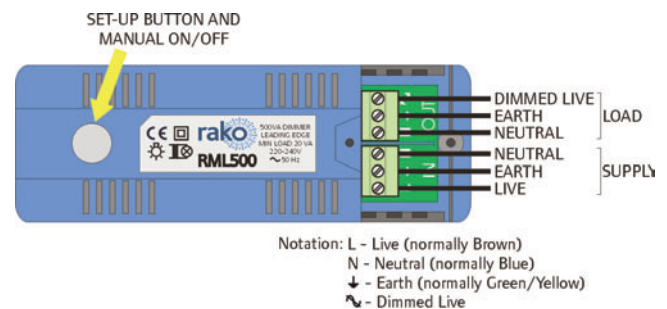
technical data

dimensions	138x46x40mm
input supply	230V AC +/-10% 50Hz
weight	125g
housing	UL V0 material
climate range	Temperature +2C to +40C Humidity +5% to 95% non condensing
connections	3 way screw terminals for mains power
protection	Field replaceable fuse Auto thermal shutdown Voltage surge protection
load types	Incandescent mains voltage lamps, Leading edge dimmable transformers Leading edge dimmable cold cathode
minimum load	20w
maximum load	500VA Refer to Rako when dimming GU10 style LEDs
terminal sizes	4mm - Solid
standards	Emissions - EN61000-6-3 : 2001 Immunity - EN61000-6-1 : 2001
communication	Rakom coded fm radio, 433.9MHz
memory	Flash memory (non volatile)

mechanical data



connection details



telephone +44 (0) 1634 226666 fax +44 (0) 1634 226667 [www.rakocontrols.com](http://www.rakocontrols.com)