



Wireless  
data sheet  
**RMS800**

800VA SWITCHING UNIT



#### WHAT IS IT ?

The RMS800 in-line RF switch module for non-dimmable loads.

Connected in-line before the first lighting fitting the RMS800 enables switching of up to 800VA of non-dimmable loads.

Ideal for extractor fans, LEDs, non-dimmable fluorescents.

Controlled from any Rako Rakom RF device, for example the RCP/RCM push button RF wall-plates.

The RMS800 in-line RF switch module for non-dimmable loads



#### SWITCHED CONTROL

Designed to fit in a ceiling void or cupboard, the RMS800 module can control up to 800VA of mains non-dimmable lighting loads. The unit can also be used for exterior lighting control applications, with the use of a weatherproof IP rated enclosure.

16 Scene memory capacity, can be fully integrated into Rako wired systems.

Easy set-up and manual On/Off control using the set-up button.

Full rising clamp terminals and mounting bracket for easy installation.

Programmed using either an RCM/RCP RF wall-plate or RASOFT PC software suite, the RMS800 stores the House, Room and Channel address plus 16 preset scene levels in a non-volatile memory.

The RMS800 can be controlled from any Rako transmitter such as RCM/RCP wallplates, RAH hand-helds and Bridge modules and forms the foundation of any Rako wireless scene-set system.



Wireless  
data sheet  
**RMS800**

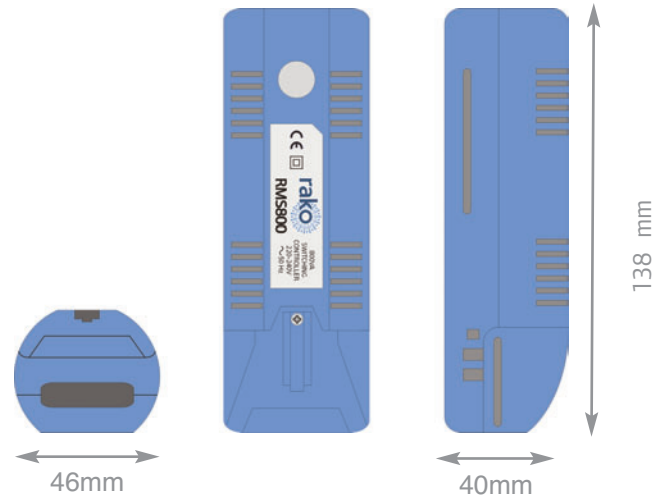
800VA SWITCHING UNIT



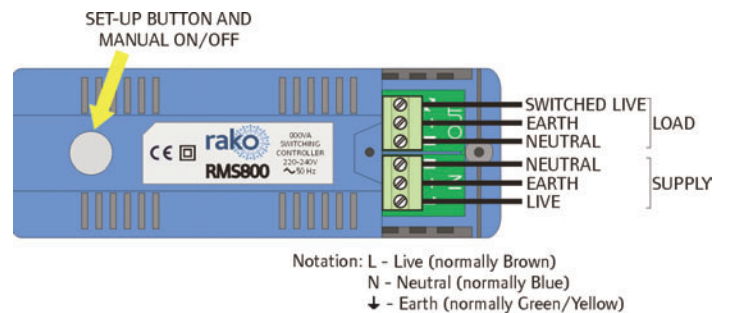
technical data

dimensions	138x46x40mm
input supply	230V AC +/-10% 50Hz
weight	205g
housing	UL V0 material
climate range	Temperature +2C to +40C Humidity +5% to 95% non condensing
connections	3 way screw terminals for mains power
protection	Auto resetting over current protection Auto thermal shutdown Voltage surge protection
load types	All non dimmable lighting loads e.g. Extractor fans and water pumps.
minimum load	N/A
maximum load	800VA
terminal sizes	4mm <sup>2</sup>
standards	Emissions - EN61000-6-3 : 2001 Immunity - EN61000-6-1 : 2001
communication	Rakom coded fm radio, 433.9MHz
memory	Flash memory (non volatile)

mechanical data



connection details



telephone +44 (0) 1634 226666 fax +44 (0) 1634 226667 [www.rakocontrols.com](http://www.rakocontrols.com)