



Wireless

data sheet

RSRDMX

WIRELESS DMX INTERFACE



WHAT IS IT ?

A 15 channel DMX controller for use with the Rako Rakom wireless network. Can be used to control DMX light fittings or interfaces such as colour changing LED drivers and fibre optic projectors.

Wireless 15 channel DMX controller for DMX controlled LED and other DMX light fixtures.



DMX CONTROL

Designed to be connected to the Rako Rakom wireless network and be controlled by any Rako wireless transmitter device such as the RCM wallplates or RA/RTC Bridges. The RSRDMX is addressed as a normal dimmer channel and automatically assigns the subsequent channels for DMX use.

DMX connections are available using either screw terminals or an RJ45 socket.



Wireless

data sheet RSRDMX

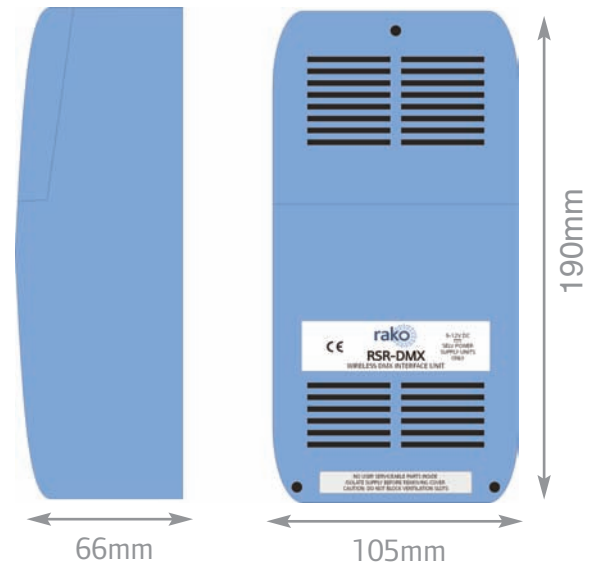
WIRELESS DMX INTERFACE



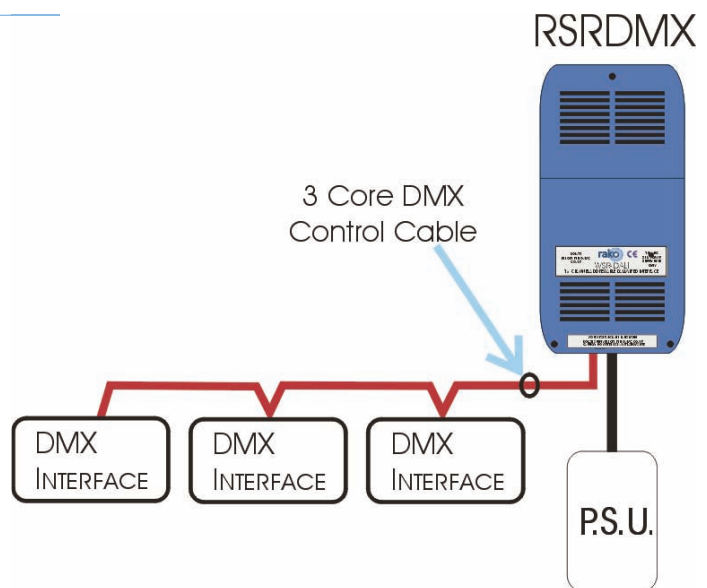
technical data

dimensions	190x105x66mm
input supply	9-12V DC from SELV power supply unit (included)
housing	UL V0 ABS
weight	275g
climate range	Temperature +2C to +40C Humidity +5% - 90% non condensing
connections	3 way screw terminal or RJ45 socket-dmx
load types	Any DMX512 compatible interface
maximum load	15 DMX channels
standards	Emissions - EN61000-6-3 : 2007 Immunity - EN61000-6-1 : 2007 LVD - EN 60950-1 :2006
communication	Rakom coded fm radio, 433.9MHz
memory	Flash memory (non volatile)

mechanical data



connection details



telephone +44 (0) 1634 226666 fax +44 (0) 1634 226667 www.rakocontrols.com

WE RESERVE THE RIGHT TO CHANGE THE SPECIFICATION AND DATA HEREWITH WITHOUT NOTICE.

© 2016 RAKO CONTROLS LIMITED