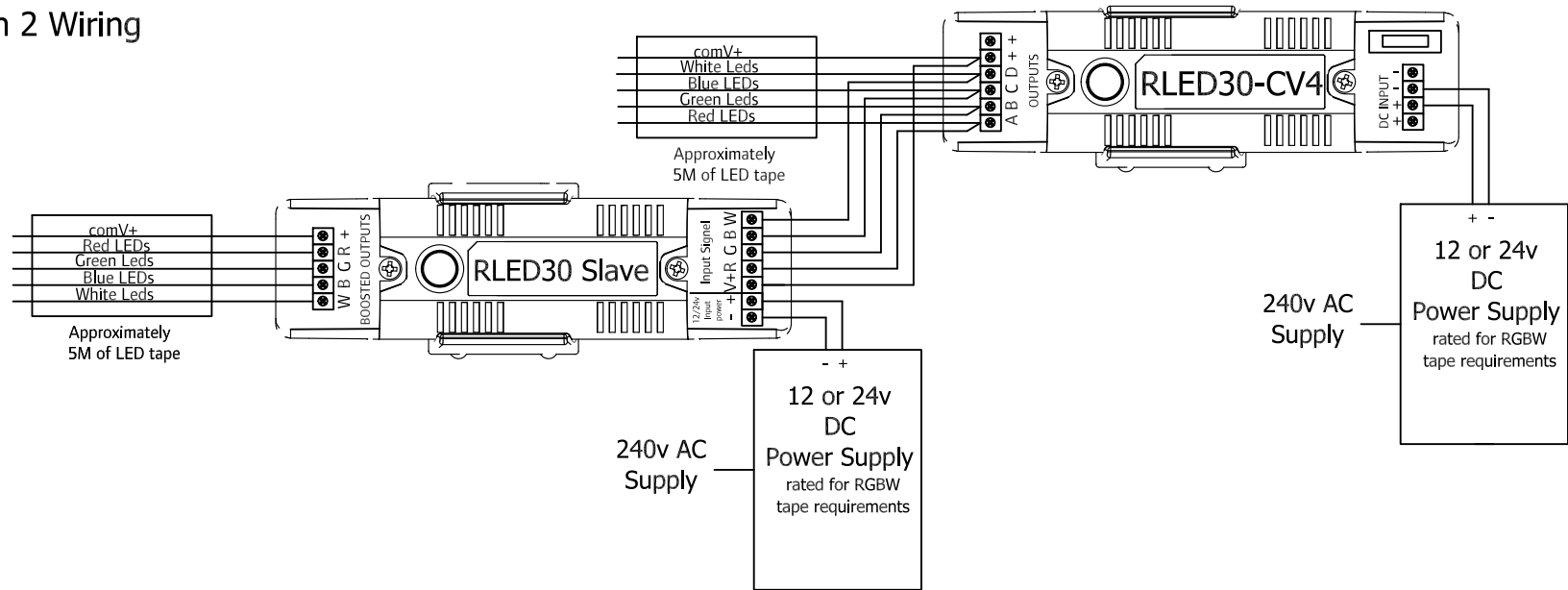


Option 1 Wiring

Option 2 Wiring



NOTES:

1: The power supplies for the RLED30-CV4 and the RLED30-Slave need to be rated to suit the total load of the tape fitted

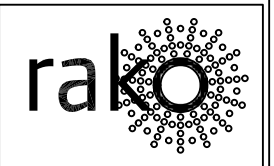
Maximum load at 12V

RLED30-CV4 or the RLED30-Slave is 90w when using RGB Tape (30w per Channel) and 120w when using RGB+white (30w per Channel)

Maximum load at 24V

RLED30-CV4 or the RLED30-Slave is 180w when using RGB Tape (60w per Channel) and 240w when using RGB+white (60w per Channel)

Project: RLED30-CV4  
RLED30-Slave



Telephone No: 01634 226666 Fax No: 01634 226676

Drawing Title: RLED30-CV4 Dimmer and RLED30 Slave Schematic

Drawn: DA Checked: Scale: NTS  
Date: 25/06/2014

Drawing No: RLED30 + Booster