

# CASAMBI

- 300VA Retrofit-Universal-Dimmer
- Advanced Adaptive Dimming (1)
- Control with Casambi and Push Button
- Load no. indicator
- Zero load dimming
- Soft-Off
- Fadetime
- R,L,C including LED Retrofit

## Functions

Digital leading edge and trailing edge phase dimmer with automatic load detection and Advanced Adaptive Dimming (1) for 1 dimmed phase with one connected load 3-300VA. Installation in flush-mounted boxes.

## Casambi Bluetooth operation

Through the Casambi-App on your tablet or smartphone, controlling or configuration is very convenient and easy.

## „Advanced Adaptive Dimming“ (1)

This device is developed especially for the needs of modern lighting where the lighting source typically is LED. Easy commissioning due to an automatic measure during the initial power cycle.

Almost magical, the load is automatically measured. AdaptiveDIM calculates the optimum dimming characteristic and sets a stable MIN and MAX level.

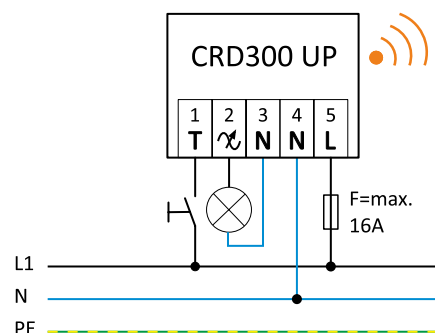


## CRD300 UP

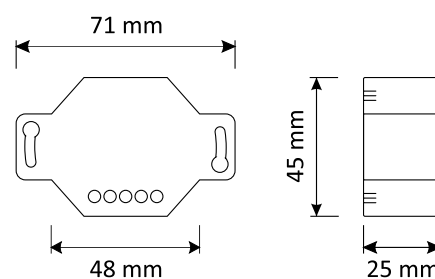
Item No.: 10.271

Specification	Item no. 10.271	DRD300 UP
Power supply		220 ... 240V AC 50/60Hz
Max. output power		3 ... 300VA
Power consumption	on idle / switching	0,6W / 1,8W at full load
Terminals and wiring	Screw terminal wiring	single wire: 0,2 ... 4 mm <sup>2</sup> fine wire: 0,2 ... 2,5 mm <sup>2</sup>
Operation- and indication units		Device Button, Status-LED
Protection circuits	Short circuit with auto restart, over temperature (derating), over current, over Voltage	
Environment	Type of protection DIN EN 60529	IP20, Class II
	Temperature ambient ta	-0°...+50° Celsius
	Temperature critical tc	70° Celsius
	Humidity	5 - 80% non-condensing
Casambi	Bluetooth Low Energy (BLE)	App available for Android and Apple
Alternate control		Push button input
Control range	brightness curve	0; 0,1-100 % gemäß IEC 62386-102 (logarithmic)
		Linear or customized characteristic curve on request
Approbation	CE-Mark	
Design	Construction	Flush mouted housing
	Mounting	Installation in junction boxes
Dimensions	(Height x width x depth) mm	45 x 48 x 25 mm
	Weight	0,150 kg
Customs	HS-Code/ TARIC-Number	85365080
Co-applicable documents		Installation instructions; product manual

Important: Notice all safety instructions and related documents for Installation and operation. Names, landmarks, products or companies can be claimed. All rights are on their respective owners.



Connection diagram



Dimensions



### Fixture: CRD300 1CH, DIM

1 Channel phase dimmer



### Picture: Expert Mode

1 Channel phase dimmer  
 + Access to the admin parameters  
 + Re-measuring the load  
 + Debug functions