

GRAFIK Eye 3000 Series Control Unit

Cover (shown open)



Description

- Provides pushbutton recall of four preset lighting scenes, plus Off.
- Allows setup of lighting scenes using buttons on the Control Unit.
- Controls many light source types directly, and others using power interfaces.
- Provides lockout options to prevent accidental changes.
- Includes built-in infrared receiver for operation with an optional remote control.

Models available to:

- Accept 120V, 220-240V (non-CE), 230V (CE) and 100V input power.
- Control two to six zones of lighting.

GRX-3100 Control Units

Provide setup using buttons on the Control Unit.

GRX-3500 Control Units

Provide optional setup using a PC, including setting lighting levels in 1% increments.

Job Name: <input style="width: 90%; height: 20px;" type="text"/>	Model Numbers: <input style="width: 95%; height: 20px;" type="text"/>
Job Number: <input style="width: 150px; height: 20px;" type="text"/>	<input style="width: 95%; height: 20px;" type="text"/>

Specifications

Input Power

- 120V, 220-240V (non-CE), 230V (CE) or 100V, 50/60Hz.
- Lightning Strike Protection: Meets ANSI/IEEE standard 62.41-1980. Can withstand voltage surges of up to 6000V and current surges of up to 3000A.

Lighting Sources/Load Types

Controls the following lighting sources with a smooth, continuous Square Law dimming curve or on a full conduction non-dim basis:

- Incandescent, Tungsten, Magnetic Low Voltage Transformer
- Lutron Tu-Wire® Electronic Fluorescent Dimming Ballast
- Neon and Cold Cathode

Controls the following lighting sources with a smooth continuous Square Law dimming curve through separate power interfaces:

- Electronic Low Voltage Transformer
- Lutron Electronic Fluorescent Dimming Ballast

Preset Control

- 4 preset lighting scenes and off are accessible from the Control Unit front panel.
- 12 additional scenes are stored in the Control Unit. These scenes are accessible via Wallstations and/or Control Interfaces.
- Light levels fade smoothly between scenes. Fade time can be set differently for each scene, between 0-59 sec. or 1-60 min. Fade time from Off is capped at 5 sec.

Key Design Features

- Meets IEC 801-2. Tested to withstand 15kV electrostatic discharge without damage or memory loss.
- Compensates in real time for incoming line voltage variations: No visible flicker with +/-2% change in RMS voltage/cycle and +/-2% Hz change in frequency/second.
- 10-year power failure memory automatically restores lighting to levels prior to power interruption.
- Faceplate snaps on with no visible means of attachment.

System Communications and Capacities

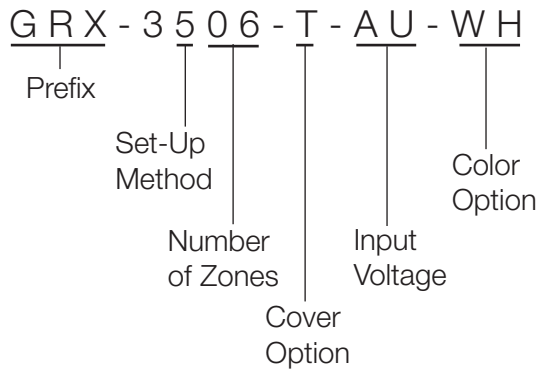
- Low-voltage type Class 2 (PELV) wiring connects Control Units, Wallstations, and Control Interfaces:
- Up to 8 Control Units may be linked to control up to 48 zones.
- Up to 16 total Wallstations and Control Interfaces may be added for a total of 24 control points.

Environment

- 32-104°F (0-40°C). Relative humidity less than 90% non-condensing.

Job Name: <input style="width: 90%; height: 20px;" type="text"/>	Model Numbers: <input style="width: 60%; height: 20px;" type="text"/> <input style="width: 35%; height: 20px;" type="text"/>	
Job Number: <input style="width: 100%; height: 20px;" type="text"/>	<input style="width: 30%; height: 20px;" type="text"/>	<input style="width: 65%; height: 20px;" type="text"/>

How to Build a Model Number



Cover Options

Opaque A
 Cover and Base will match.
 Translucent Black T
 Black Cover and choice of base color.

Also available:
 - Custom controls
 - Color matching
 - Engraving

These options ship in 4 to 6 weeks

Color Options

Architectural Matte Finishes

Standard – Ship in 48 hours

Cover Option: A or T

White WH
 Ivory IV
 Beige BE
 Gray GR
 Brown BR
 Black BL

Designer Gloss Finishes

Ship in 4 to 6 weeks

Cover Option: A only

White GWH
 Light Almond GLA
 Almond GAL
 Ivory GIV

Satin Color Matte Finishes

Cover Option: A or T

Hot HT
 Ochre OC
 Terracotta TC
 Desert Stone DS
 Stone ST
 Limestone LS
 Blue Mist BT
 Midnight MN
 Taupe TP
 Biscuit BI
 Eggshell ES
 Snow SW

Architectural Metal Finishes

Cover Option: T only

Bright Brass BB
 Bright Chrome BC
 Satin Brass SB
 Satin Chrome SC
 Satin Nickel SN
 Antique Brass QB
 Antique Bronze QZ
 Bright Nickel BN

Anodized Aluminum Finishes

Cover Option: T only

Clear CLA
 Black BLA
 Brass BRA
 Bronze BZA

Prefix:

GRX for Grafik Eye 3000 Series Control Units

Set-Up Method:

1 for standard via front panel
5 for PC setup

Number of Zones:

2, 3, 4, or 6

Cover Option:

A for Opaque
T for Translucent Black

Input Voltage

__ (no code) for 120V Single Feed
AU for 220-240V (non-CE)
CE for 230V (CE)
JA for 100V

Color Option:

See Color Options list

Job Name: <input type="text"/>	Model Numbers: <input type="text"/>	
Job Number: <input type="text"/>	<input type="text"/>	<input type="text"/>

Model Numbers

120V Input Power

Number of Zones	Standard Setup	PC Setup	Unit Capacity (Watts/VA)	Zone Capacity (Watts/VA)
2	GRX-3102-_-__	GRX-3502-_-__	1200	800
3	GRX-3103-_-__	GRX-3503-_-__	1500	800
4	GRX-3104-_-__	GRX-3504-_-__	2000	800
6	GRX-3106-_-__	GRX-3506-_-__	2000	800

220–240V (non-CE) Input Power

Number of Zones	Standard Setup	PC Setup	Unit Capacity (Watts/VA)	Zone Capacity (Watts/VA)
2	GRX-3102-_-AU-__	GRX-3502-_-AU-__	1600	1200
3	GRX-3103-_-AU-__	GRX-3503-_-AU-__	2400	1200
4	GRX-3104-_-AU-__	GRX-3504-_-AU-__	3000	1200
6	GRX-3106-_-AU-__	GRX-3506-_-AU-__	3000	1200

230V (CE) Input Power

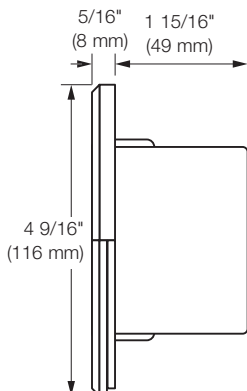
Number of Zones	Standard Setup	PC Setup	Unit Capacity (Watts/VA)	Zone Capacity (Watts/VA)
2	GRX-3102-_-CE-__	GRX-3502-_-CE-__	1600	800
3	GRX-3103-_-CE-__	GRX-3503-_-CE-__	2300	800
4	GRX-3104-_-CE-__	GRX-3504-_-CE-__	2300	800
6	GRX-3106-_-CE-__	GRX-3506-_-CE-__	2300	800

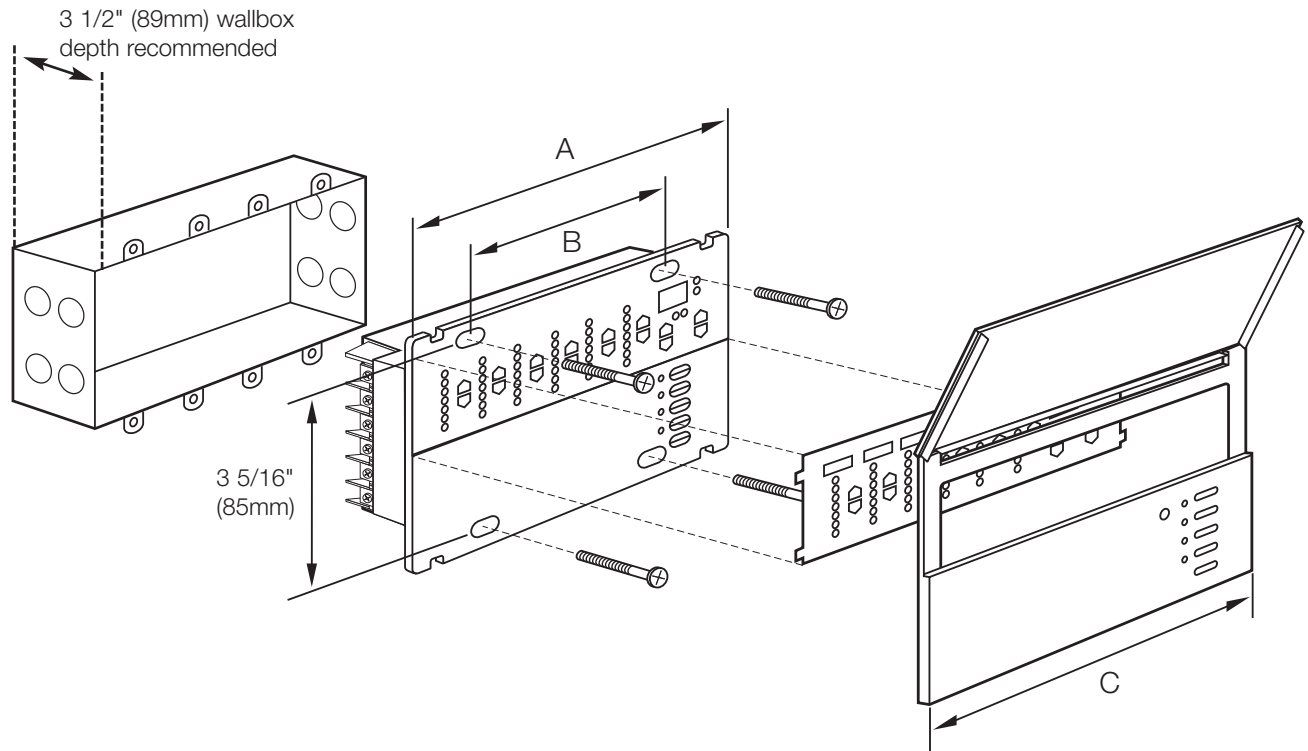
100V Input Power

Number of Zones	Standard Setup	PC Setup	Unit Capacity (Watts/VA)	Zone Capacity (Watts/VA)
2	GRX-3102-_-JA-__	GRX-3502-_-JA-__	1000	600
3	GRX-3103-_-JA-__	GRX-3503-_-JA-__	1250	600
4	GRX-3104-_-JA-__	GRX-3504-_-JA-__	1600	600
6	GRX-3106-_-JA-__	GRX-3506-_-JA-__	1600	600

Job Name: <input type="text"/>	Model Numbers: <input type="text"/>	
Job Number: <input type="text"/>	<input type="text"/>	<input type="text"/>

Dimensions and Mounting - All Voltages Except 230V (CE)

Model	Side View	A	B	C	Wallbox ¹ U.S. Size	Depth
2-Zone: GRX-3102 GRX-3502		4 5/16" (123mm)	1 13/16" (46mm)	5.56" (141mm)	2 Gang	3.5" (89mm)
3-Zone: GRX-3103 GRX-3503		6 11/16" (168mm)	3 5/8" (92mm)	7.25" (184mm)	3 Gang	3.5" (89mm)
4-Zone: GRX-3104 GRX-3504		8 5/16" (208mm)	5 7/16" (138mm)	8.94" (227mm)	4 Gang	3.5" (89mm)
6-Zone: GRX-3106 GRX-3506		8 5/16" (208mm)	5 7/16" (138mm)	8.94" (227)	4 Gang	3.5" (89mm)

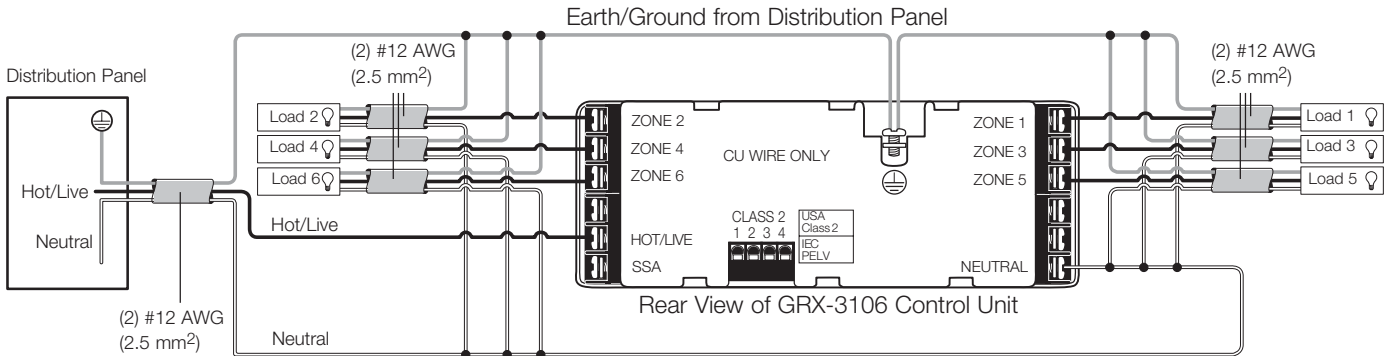


¹ Can be ordered from Lutron.

Job Name: <input type="text"/>	Model Numbers: <input type="text"/>	
Job Number: <input type="text"/>	<input type="text"/>	<input type="text"/>

Line Voltage Wiring - 120V, 100V, 220-240V Models

- Pull power wiring from distribution panel and to light fixtures.
- Each line voltage terminal can accept up to two #12 AWG (2.5mm²) wires.



Consult Lutron for:

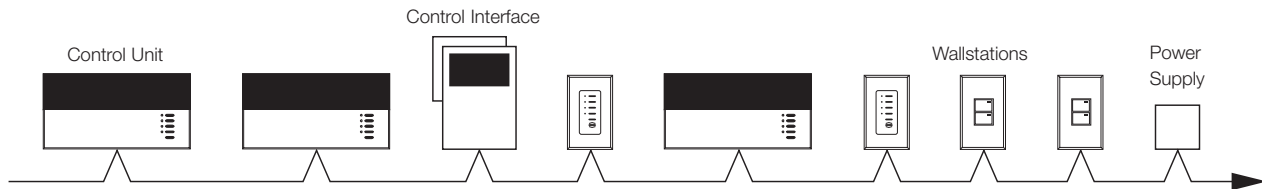
- Non-dim relay wiring.
- Load side emergency transfer wiring.

Low-Voltage Class 2 (PELV) Wiring

- System communications use low-voltage Class 2 (PELV) wiring.
- Wiring must be daisy-chained.
- Wiring must run separately from line (mains) voltage.

Class 2 (PELV) wiring link requires:
 Two #12 AWG (2.5mm²) conductors for control power.
 One twisted, shielded pair of #18 AWG (0.625mm²) for data link.

Total length of Control Link may be up to 2,000 ft. (610m).
 Approved low-voltage cable is available from Lutron¹, Belden, and Liberty.
 These are approved with #22 AWG data link wires.



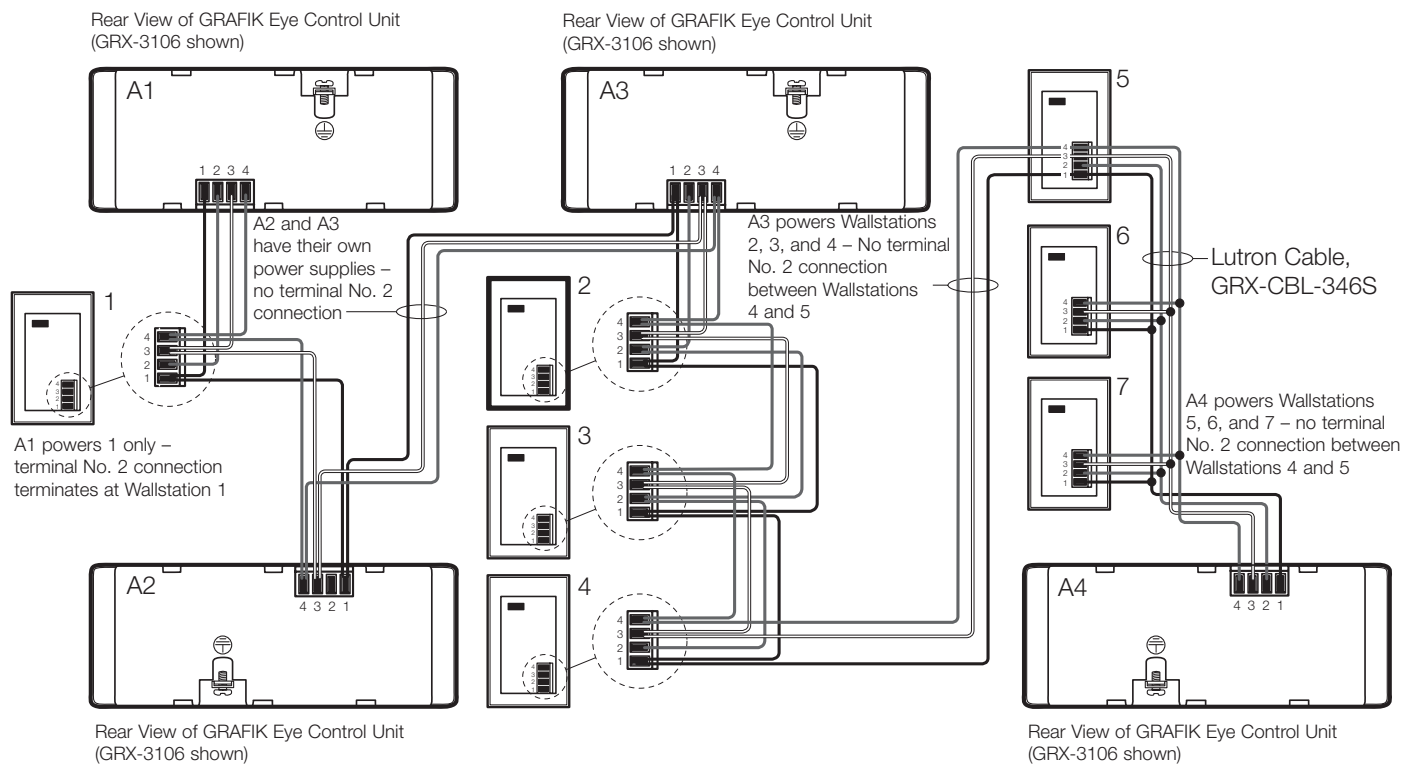
External 12VDC Power Supply is required to power more than three Wallstations and/or Control Interfaces from a single Control Unit.

¹ GRX-CBL-346S Class 2 (PELV) wiring cable is available from Lutron and contains:
 Two #12 AWG (2.5mm²) conductors for control power.
 One twisted, shielded pair of #22 AWG (0.625mm²) for data link.

Job Name: <input type="text"/>	Model Numbers: <input type="text"/>	<input type="text"/>
Job Number: <input type="text"/>	<input type="text"/>	<input type="text"/>

Class 2 (PELV) Terminal Connections

- Each Class 2 (PELV) terminal accepts up to two #18 AWG (1.0mm²) wires.
- Daisy chain the terminal 1, 3, and 4 connections to all Control Units, Wallstations, and Control Interfaces.
- Each Control Unit has its own power supply. Terminate the terminal 2 connection (12VDC power) so that each Control Unit supplies power to a maximum of three Wallstations. Each Wallstation should receive power from only one Control Unit.
- Total length of Class 2 (PELV) wiring may be up to 2,000 ft. (600m).
- Make all connections in the Control Unit's wallbox. Remote connections (T-taps) must be in a switchbox or junction box with a maximum wire length of 8 ft. (2.5m) from the link to the connected unit.
- Do not allow Class 2 (PELV) wires to contact line/main wires.



Note:

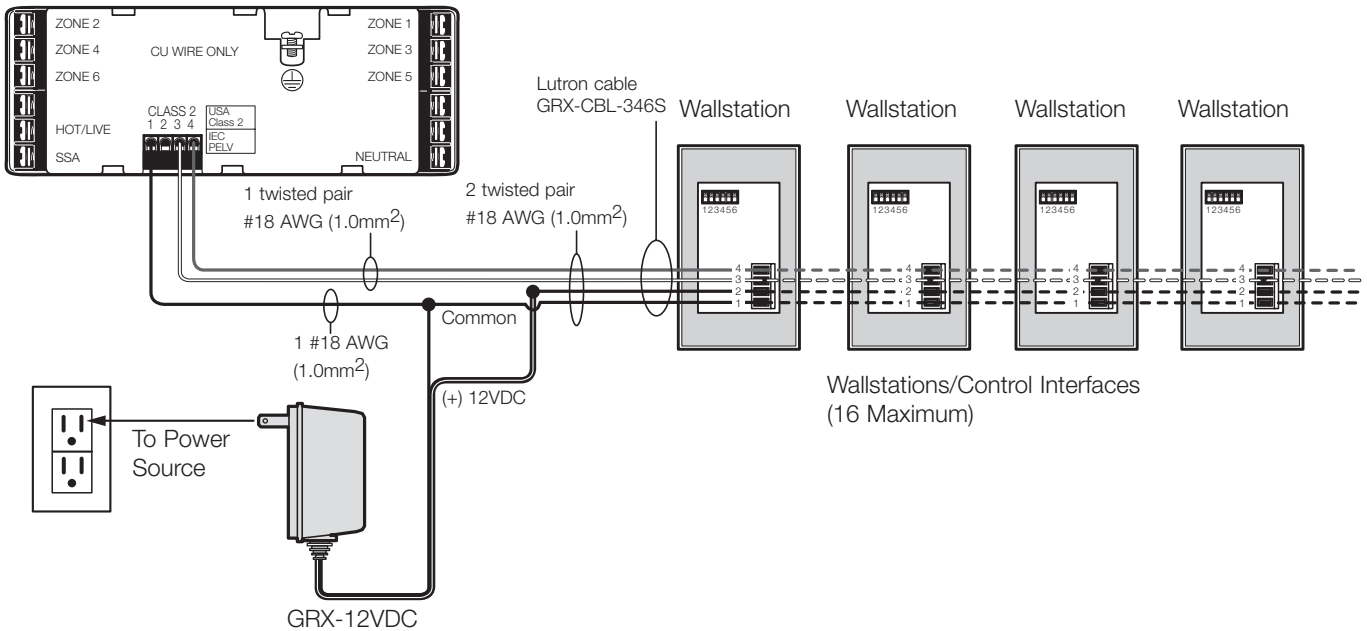
- Up to 8 GRAFIK Eye 3000 Series Control Units and 16 Wallstations/Control Interfaces may be daisy-chained together in one system.
- Class 2/PELV cable is available from Lutron - order GRX-CBL-346S.

Job Name:	Model Numbers:
<input type="text"/>	<input type="text"/>
Job Number:	<input type="text"/>

GRX-12VDC Power Supply Wiring

External 12VDC Power Supply is required to power more than three Wallstations and/or Control Interfaces from a single Control Unit.

Rear View of GRAFIK Eye Control Unit (GRX-3106 shown)



Note:
Do not connect terminal No. 2 between GRAFIK Eye 3000 Series Control Unit and GRX-12VDC Power Supply

Job Name: <input type="text"/>	Model Numbers: <input type="text"/>
Job Number: <input type="text"/>	<input type="text"/>