

MLS Digital - Networked Managed Lighting System

MLS2000SSP MK2 Scene Switch Panel

The Ex-Or MLS Digital provides a flexible and user-responsive building-wide managed lighting system via a network of communicating presence detectors.

This data sheet covers the MLS Digital Scene Switch Panel. This unit is used to provide groups of luminaires with scene setting and recall, zone control and communication functions. It is useful for areas such as conference rooms or lecture theatres where the primary requirement is to set up and recall different lighting scenes (not necessarily in conjunction with presence detection) to suit a variety various activities.

Scene-setting

Users can set up six lighting scenes, recalling them with a single press of a button.

Entry and Exit Scenes

The Entry Scene is selected when the ON button is used. Similarly, there is an option to select an Exit Scene. The current scene is indicated by a coloured LED.

Group Dimming

Groups of luminaires may be brightened, dimmed and switched on/off by pressing the buttons on the panel or by remote control.

The MLS2000SSP is simple to programme using the QuickSet Pro hand-held infrared programmer via the infrared port on the front face.



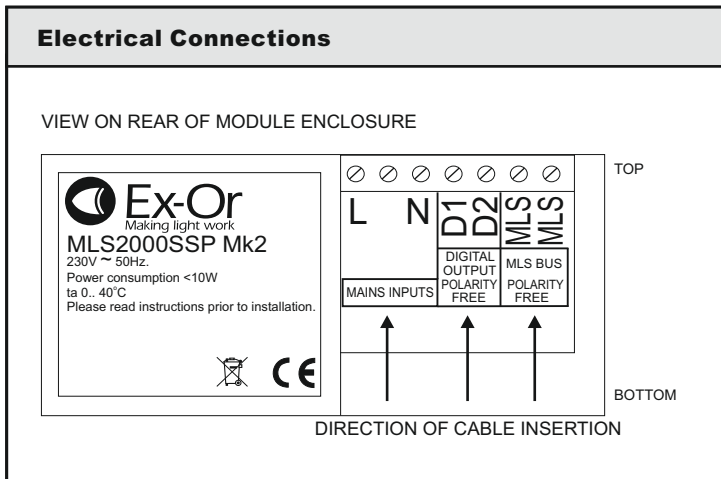
Commissioning the Programmable Parameters

The operation of MLS Digital is determined by the way the system is commissioned. Commissioning and re-commissioning is carried out using a menu-driven infrared remote programmer (QuickSet Pro) with virtually no disturbance to the building's occupants. The programmable parameters are shown overleaf in the order they are presented on the programmer. Options are selected from a choice of two or from a list.

Commissioning of Lighting Scenes

Lighting scenes are set up using the infrared HC5A hand-held controller (or QuickSet Pro programmer). The scene is set up manually then stored by a long press on the selected scene button. New scenes can be set up in this way without the need for separate programming devices.

Please check www.ex-or.com to ensure this is the most recent issue - Ref: D4091E



Technical Data

MLS CABLE: 1.5mm² unscreened twisted pair;
 'MLS SensaLink' from UK Cables Tel 0161 653 6789

DIMMING CABLE: 1mm² 2-core mains rated cable

DIMMING OUTPUT: up to 25 ballasts (DSI or DALI - not mixed)

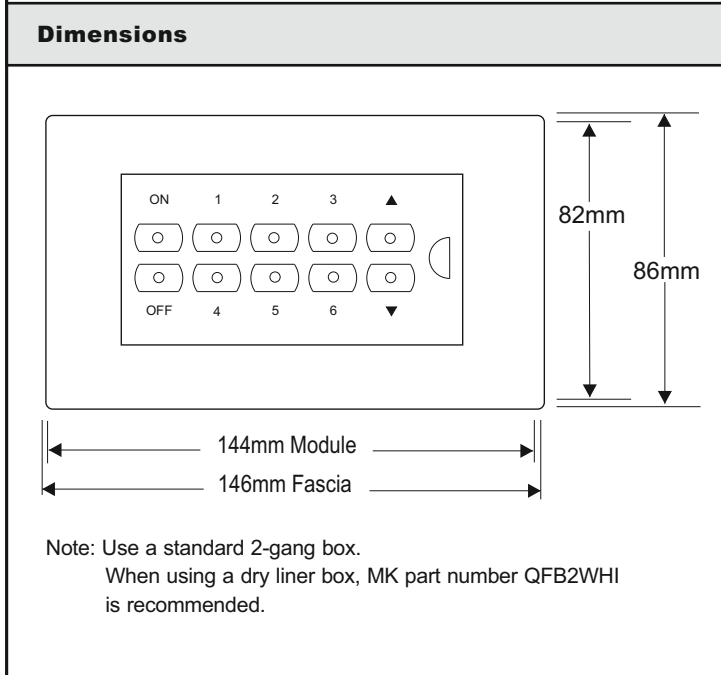
POWER SUPPLY: 230V ~ 50Hz

POWER CONSUMPTION: < 10W

TERMINAL CAPACITY: 1 x 2.5mm² cable

ta 0 - 40°C

DIMENSIONS: Module (inc supporting frame): 82mm x 144mm
 Fascia: 86mm x 146mm



Accessories



QuickSet Pro Digital 2-Way Programmer

Menu-driven LCD Programmer with automatic equipment recognition and parameter download facilities.

QUICKSET PRO



HC5A Universal Hand-held Controller

Allows user override. Supplied with wall bracket.

HC5A

RB2000 Bus Power Supply

A single Bus Power Supply synchronises and powers the bus for up to 200 MLS Controllers. It also provides a test facility. Units may be linked for larger installations and to provide a building-wide common zone.



RB2000

(RB2000LT Bus Power Supply may also be used.)

Programmable Parameters	Selectable Options (Factory pre-set shown in bold)
Bus Connect	Yes / No
1st Zone	1-50 addresses - factory pre-set to -- (no zone)
2nd Zone	1-50 addresses - factory pre-set to -- (no zone)
3rd Zone	1-50 addresses - factory pre-set to -- (no zone)
4th Zone	1-50 addresses - factory pre-set to -- (no zone)
Common Zone 1	On / Off
Common Zone 2	On / Off
Common Zone 3	On / Off

Ex-Or operates a genuine policy of continuous improvement. You may expect the specification to be regularly enhanced. For latest technical information, please visit www.ex-or.com.

Part Numbers

- MLS2000SSP MK2 MLS Digital Scene Select Panel
- MSSPBSS Brushed Stainless Steel Fascia Plate
- MSSPWHI White Fascia Plate
- MSSPPBR Polished Brass Fascia Plate
- MSSPPOC Polished Chrome Fascia Plate
- RB2000 MLS Digital Bus Power Supply
- RB2000LT MLS Digital Bus Power Supply 'Lite'
- QUICKSET PRO QuickSet Pro Digital 2-Way Programmer
- HC5A Universal Hand-held Controller c/w wall bracket