



DDLE801

Leading Edge Dimmer Controller

Superior LED dimming technology

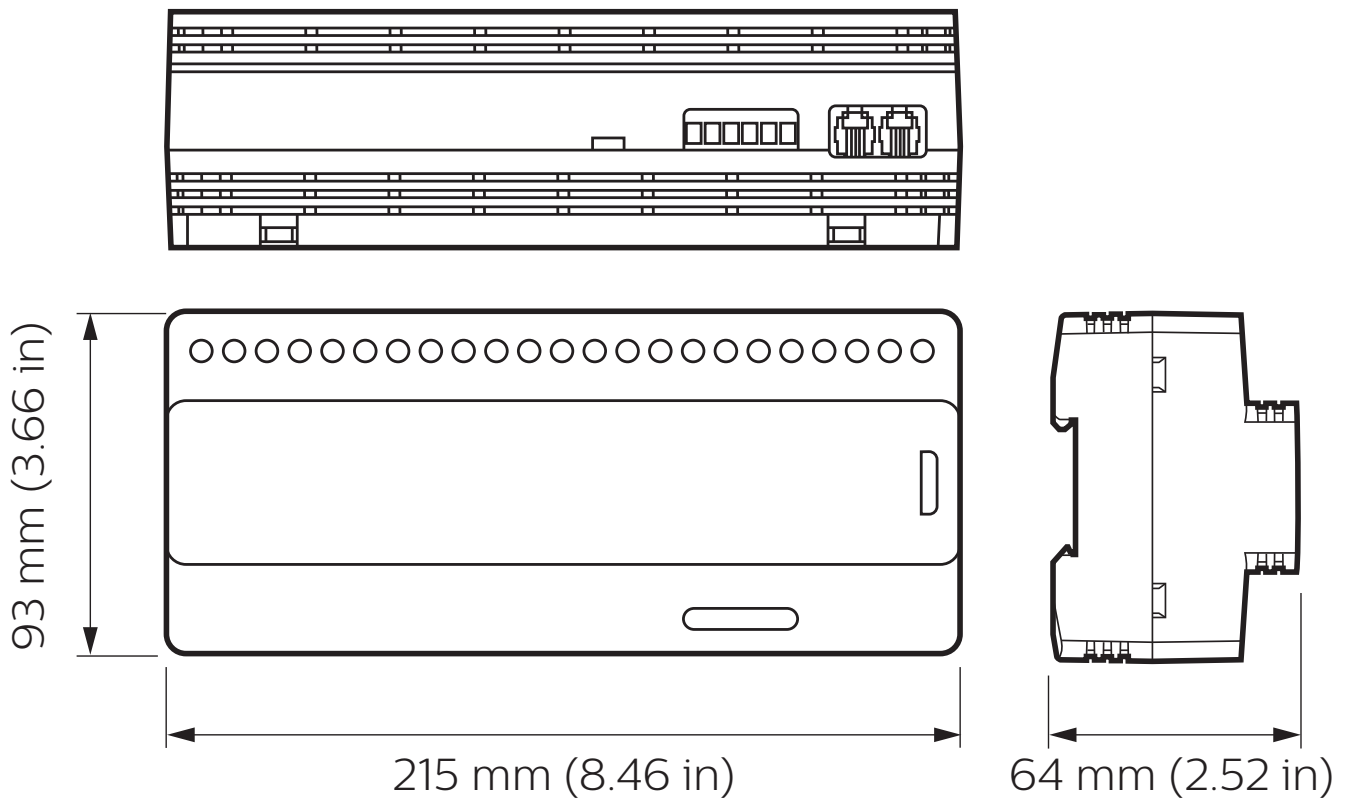
The Philips Dynalite DDLE801 supports eight channels of leading edge dimming at 1 A per channel. It is suitable for use with incandescent lighting, as well as leading edge compatible magnetic and electronic transformers. Advanced LED dimming technology makes the unit particularly suited to residential, retail and hospitality applications.

DDLE801

Superior LED dimming technology

- **Active Load technology on each channel** – Dramatically improves LED dimming stability through detection of supply fluctuations and application of control compensation.
- **Soft start and voltage regulation technologies** – Protects lamps from overvoltage and dramatically improves lamp life, reducing maintenance costs.
- **Superior internal drive componentry tuning** – Removes issues of ‘clipping’ that are normally associated with leading edge dimmers controlling LED lamps.
- **Flexible mounting solution** – A DIN-rail mountable device, designed to be installed into the distribution board supplying power to the controlled circuit.

Dimensions



Specifications

Due to continuous improvements and innovations, specifications may change without notice.



DDLE801
Leading Edge Dimmer Controller

Electrical

Supply Type	Single-phase
Supply Voltage	100–240 VAC
Supply Current	10 A
Outputs	8 x Leading edge dimming
Output Channel Rating	Incandescent: ≤ 1 A/CH LED: ≤ 100 W/CH
Total Box Load	Incandescent: ≤ 8 A LED: ≤ 800 W
DyNet DC Output Voltage	12 VDC
DyNet DC Output Current	200 mA
Power Conditioning	Regulated outputs Overvoltage protection Surge protection Brownout / Sag protection Spike protection Soft start 16 bit fade resolution (65,536 steps) Active load Active phase angle firing compensation
Electrical Protection	2 x 6.3 A time delay fuse (4 channels per fuse)
Regulating Device	Triac (20 A, 600 V, 200 A surge)
IEC Overvoltage Category	III

Control

Serial Ports	1 x RS485
Supported Protocols	DyNet DMX Rx
DMX Rx Channels	8
Dry Contact Inputs	1 (AUX)
Diagnostic Functions	Device online/offline status Circuit run time tracking on each channel
User Controls	1 x service switch 8 x output channel override
Indicators	1 x service LED

Physical

Dimensions (H x W x D)	93 x 215 x 64 mm (3.66 x 8.46 x 2.52 in)
Packed Weight	0.69 kg (1.52 lb)
Construction	Polycarbonate DIN-rail enclosure (12 unit)
Serial Ports	2 x RJ12 1 x 6-way pluggable screw terminal
Serial Port Conductor Size	2.5 mm ² (#12 AWG) (max)
Supply Terminals	3 x screw terminal (Line, Neutral, Earth)
Supply Terminal Conductor Size	5 mm ² (#10 AWG) (max)
Load Terminals	16 x screw terminal
Load Terminal Conductor Size	5 mm ² (#10 AWG) (max)

Environment*

Operating Temperature	-5° to 40°C ambient (23° to 104°F)
Storage/Transport Temperature	-25° to 70°C ambient (-13° to 158°F)
Humidity	0 to 90% non-condensing
IEC Pollution Degree	II

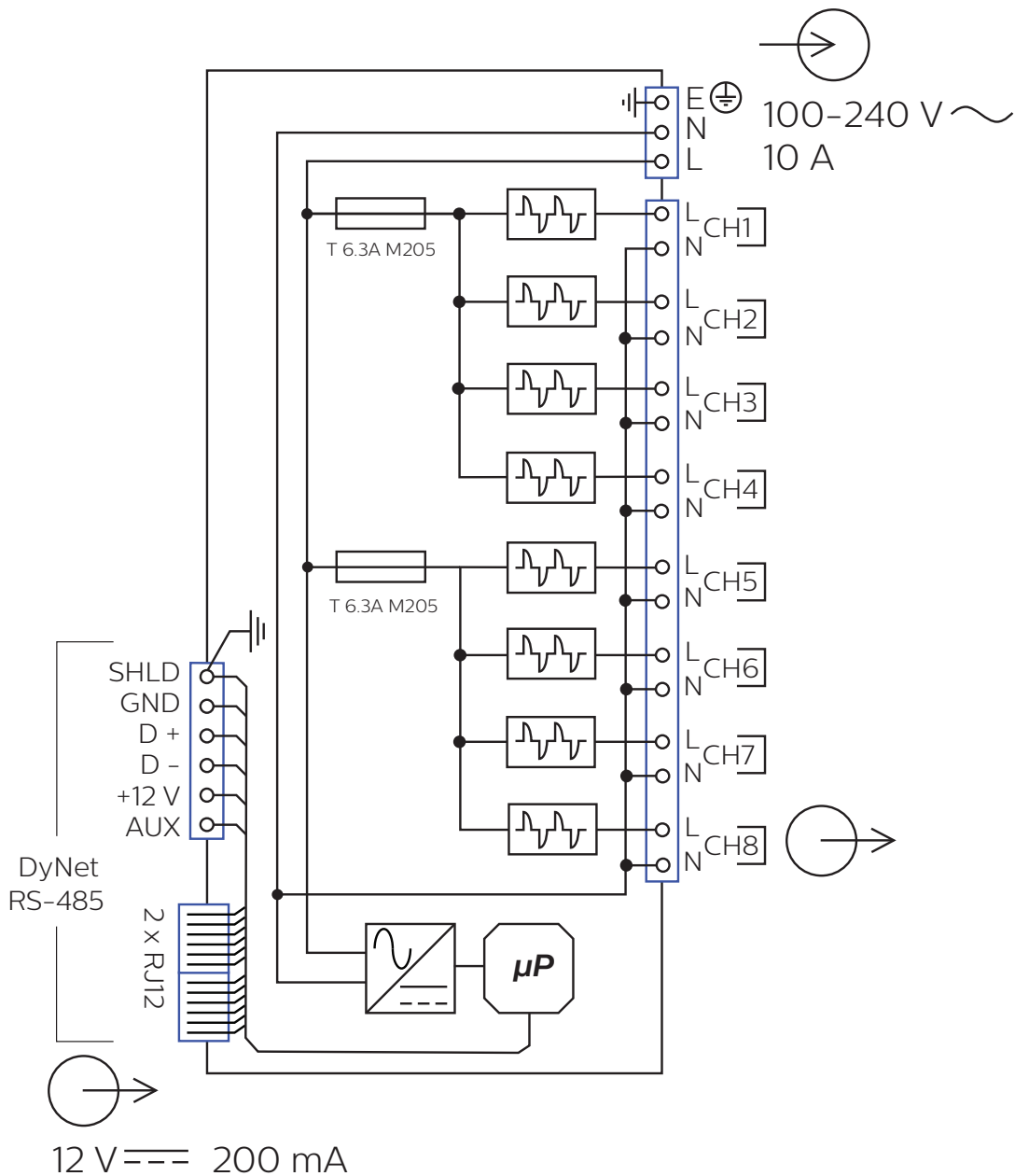
Compliance

Certification	CE, RCM, UKCA, RoHS
---------------	---------------------

* For indoor installation only



Electrical



Ordering Code

Product

DDLE801

Philips 12NC

913703061509



© 2021 Signify Holding. All rights reserved. Specifications are subject to change without notice. No representation or warranty as to the accuracy or completeness of the information included herein is given and any liability for any action in reliance thereon is disclaimed. Philips and the Philips Shield Emblem are registered trademarks of Koninklijke Philips N.V. All other trademarks are owned by Signify Holding or their respective owners.