



DDNI-LON

LON Gateway

Single point LON interface

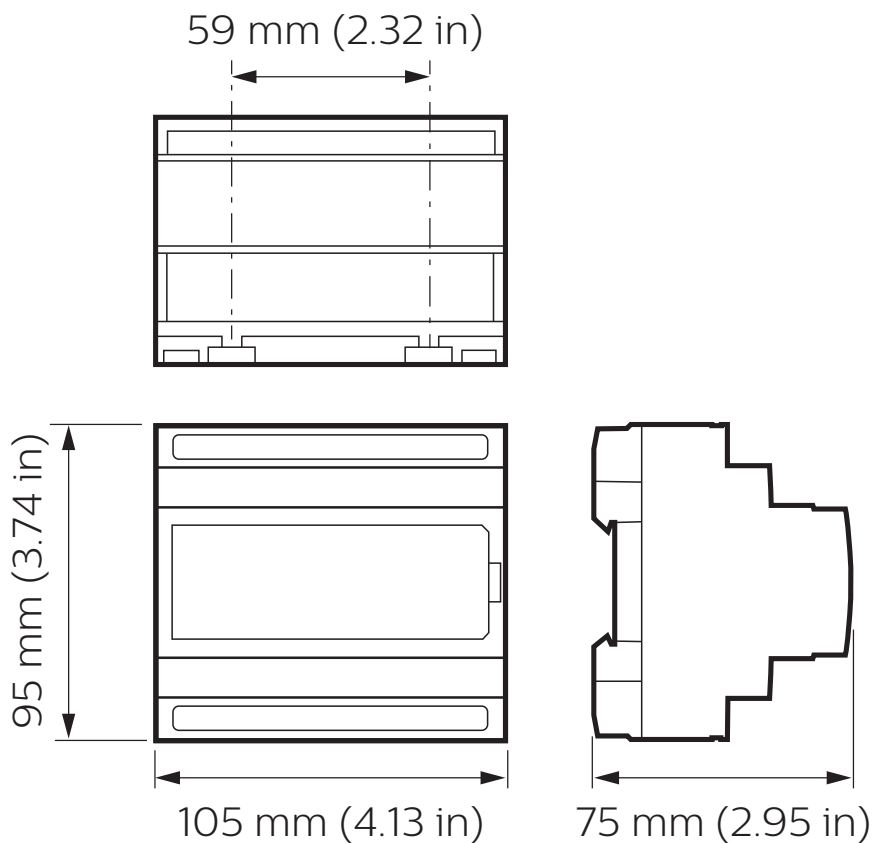
The Philips Dynalite DDNI-LON is designed to provide a single point LON interface to a Philips Dynalite system. It is configured to operate on the LON network with Echelon Corporation's LonMaker.

DDNI-LON

Single point LON interface

- **Based on Echelon Corporation's Neuron 3120 chip** – Supports 63 SNVTs and will support preset control of 100 presets per area for 30 areas.
- **Suitable for larger networks** – Multiple DDNI-LON devices can be cascaded together to accommodate larger or more complex DyNet networks.
- **User controls incorporated** – Including DyNet service switch, DyNet diagnostic LED, LON service switch and LON diagnostic LED.

Dimensions



Specifications

Due to continuous improvements and innovations, specifications may change without notice.



DDNI-LON
LON Gateway

Electrical

Supply Type	DyNet
Supply Voltage	12 VDC
Supply Current	50 mA
IEC Overvoltage Category	III

Control

Communication Ports	1 x RS-485 1 x TP/FT-10 LonWorks
Supported Protocols	DyNet LonWorks
Dry Contact Inputs	1 (AUX)
User Input	1 x DyNet service switch 1 x LON service switch
Indicators	1 x DyNet service LED 1 x LON service LED

Physical

Dimensions (H x W x D)	95 x 105 x 75 mm (3.74 x 4.34 x 2.95 in)
Packed Weight	0.6 kg (1.32 lb)
Construction	ABS DIN-rail enclosure (6 unit)
Communication Ports	1 x RJ12 5 x screw terminal 1 x 2-way pluggable screw terminal
Communication Terminal Conductor Size	2.5 mm ² (#12 AWG) (max)

Environment

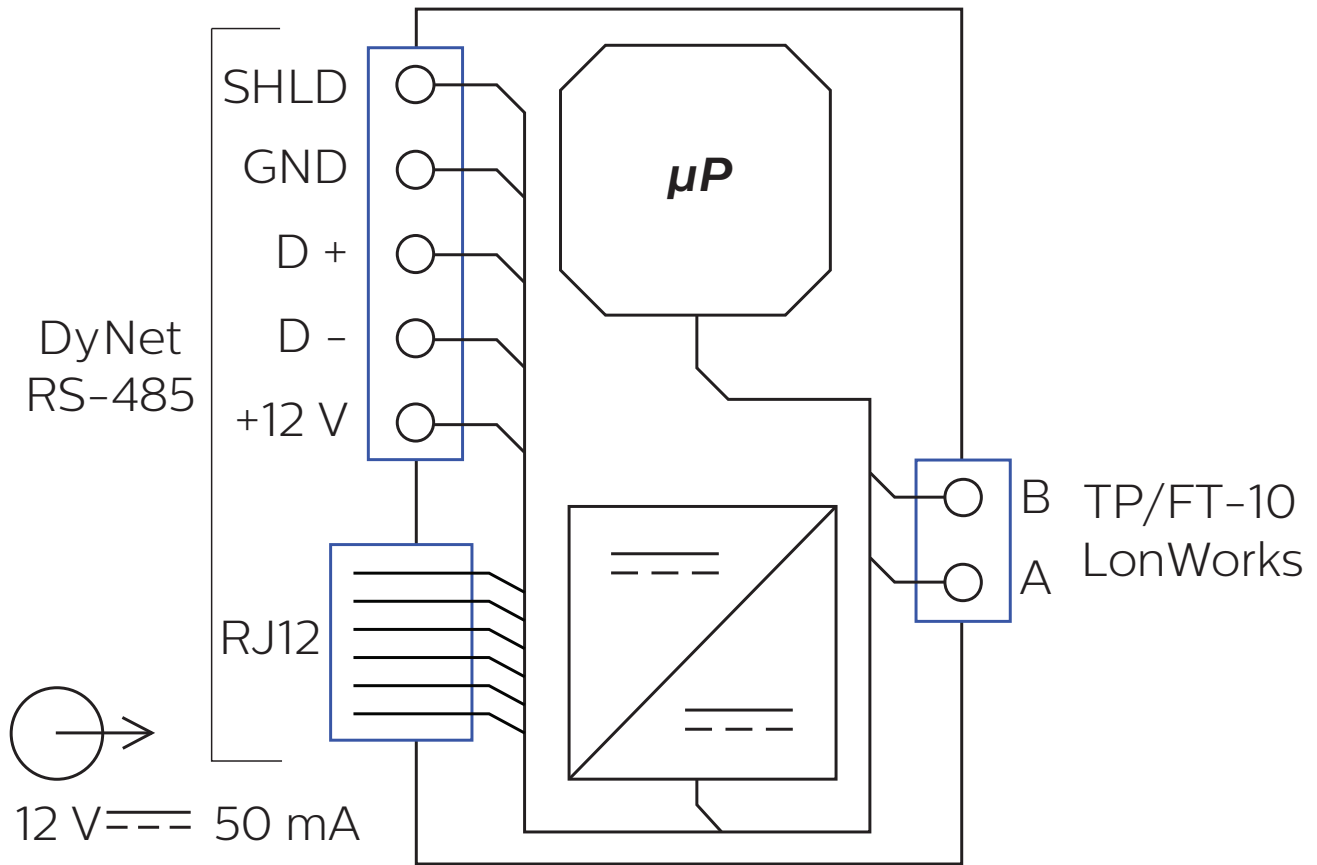
Operating Temperature	-0° to 50°C ambient (32° to 122°F)
Storage/Transport Temperature	-25° to 70°C ambient (-13° to 158°F)
Humidity	0 to 95% non-condensing
IEC Pollution Degree	III

Compliance

Certification	CE, RCM, RoHS
---------------	---------------



Electrical



Ordering Code

Product

DDNI-LON

Philips 12NC

913703081409



© 2018 Signify Holding. All rights reserved. Specifications are subject to change without notice. No representation or warranty as to the accuracy or completeness of the information included herein is given and any liability for any action in reliance thereon is disclaimed. Philips and the Philips Shield Emblem are registered trademarks of Koninklijke Philips N.V. All other trademarks are owned by Signify Holding or their respective owners.