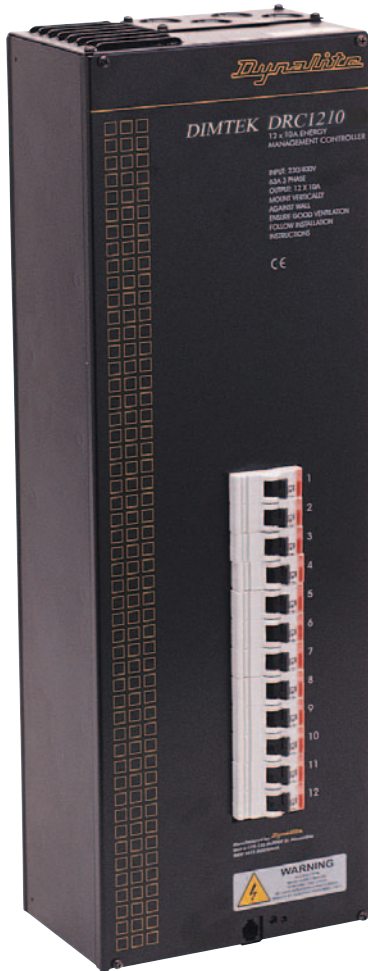


# DRC1210 & DRC1220 relay controllers

The DRC1210 and DRC1220 are 12 channel relay controllers, with a maximum load per channel of 10A and 20A respectively. They are used for switching both lighting and non-lighting loads. Both controllers have an optional accessory card for control of electronic dimmable ballasts. In areas where it is beneficial to sequentially switch on large lighting loads, such as factories and indoor sporting arenas, the DRC1210 and DRC1220 can be programmed to stagger the switch on of the lights, to minimise peak demand current.



\* When options are required, add desired option code suffix(es) to catalogue number, eg. DRC1210-BT

## technical data

### Supply

DRC1210 - 230V 50/60Hz three phase & neutral at 40A per phase  
 DRC1220 - 230V 50/60Hz three phase & neutral at 63A per phase

### Outputs

DRC1210 - 12 x switched outputs at 10A (total device load is 120A)  
 DRC1220 - 12 x switched outputs at 20A (total device load is 189A)

### Protection

DRC1210 - 12 x 10A 6kA single pole thermal magnetic circuit breakers  
 DRC1220 - 12 x 20A 6kA single pole thermal magnetic circuit breakers

### Switching Device

DRC1210 - Relay 16A nom. (resistive)  
 DRC1220 - Relay 30A nom. (resistive)

### Control Inputs

1 x RS485 DyNet serial port  
 1 x programmable dry contact AUX input

### User Controls

Service Switch  
 Diagnostic LED  
 Override switch - All channels to 100%

### Internal Controls

Programmable Logic Controller  
 Dynalite Accessory Module enabled

### DyNet DC Supply

90mA (supply for approx. 4.5 Smart Panels)

### Preset Scenes

170

### Supply Terminals

Line1, Line2, Line3  
 1 x 25mm<sup>2</sup> max conductor size

### Output Terminals

Line for each channel  
 1 x 6mm<sup>2</sup> max conductor size  
 Neutral Link bar provided  
 Earth Link bar provided

### Cable Entry

Mains - 4 x 25mm dia. knockouts mounted on a 100mm x 50mm removable gland plate  
 Data - 1 x 25mm dia. knockout

### Diagnostic Functions\*

Device Online/Offline status  
 Circuit breaker trip reporting (optional)  
 Current measurement (optional)  
 Circuit run time tracking (optional)  
 \* DLight, DTK600 Touch Screen or BAS interface is required for displaying and analysing diagnostic data.

### Compliance

CE, C-Tick

### Operating Environment

0° to 50°C ambient temperature  
 0% to 95% RH non condensing

### Construction

Alloy/Steel wall mount case with epoxy finish

### Dimensions

H 555mm x W 200mm x D 125mm  
 (excludes wall brackets)

### Weight

10.25kg

## load compatibility

Any large switched load

## options

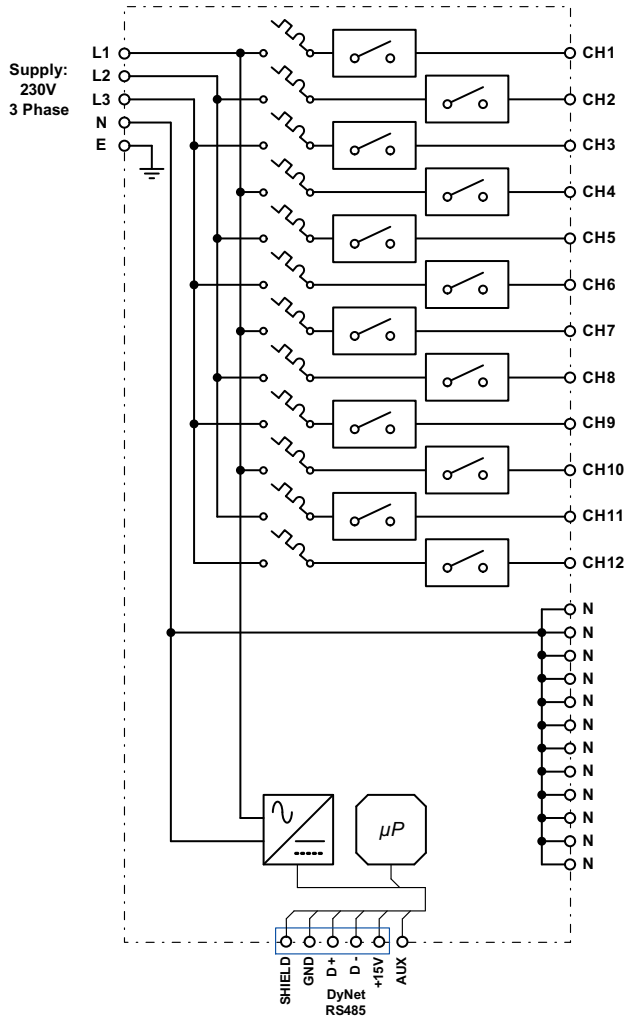
Circuit breaker trip reporting -BT  
 Extra RS485 DyNet / DMX512 port -A  
 Network watchdog -NW

Neutral disconnect circuit breakers -ND  
 Circuit run time tracking -RT

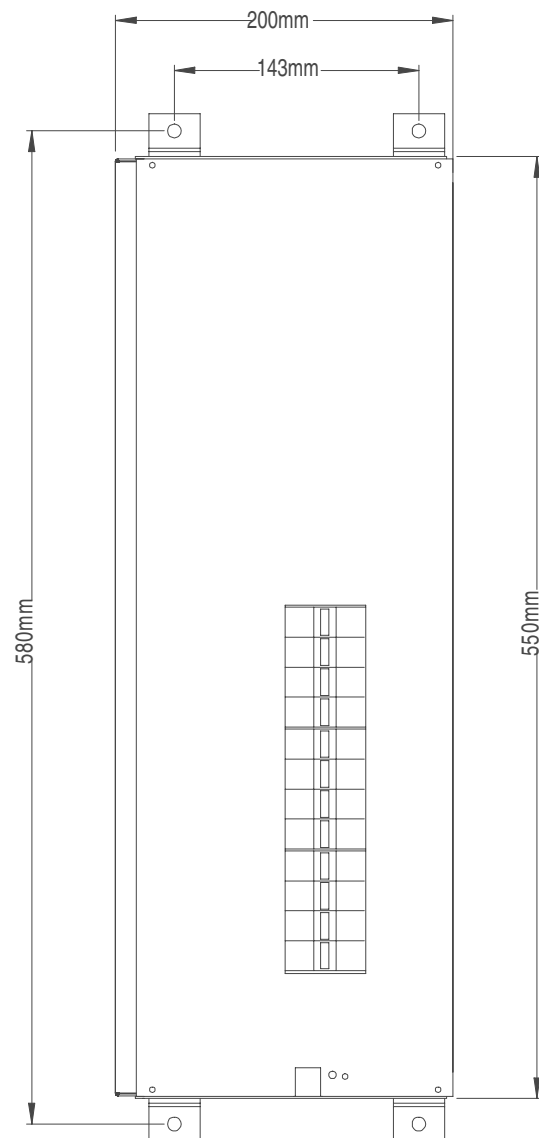
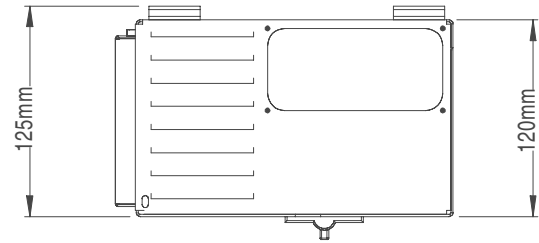
# DRC1210 & DRC1220

relay controllers

## electrical diagram



## mounting dimensions



for further information contact: