



Dynalite Phase-Cut Dimmers

DTE1210

12 channel Trailing Edge Dimmer Controller with a maximum load per channel of 10 A.

The Philips Dynalite DTE1210 trailing edge dimmer controller features 12 channels, with a maximum load per channel of 10 A and a total box load of 120 A. The trailing edge output makes the device suitable for control of both trailing and leading edge electronic transformers, as well as incandescent lamps and track lighting. Operates from three phase supply, using a three phase supply when connected to a three circuit track permits the track to be loaded to maximum rating. Voltage regulation and soft start technologies, protects lamps and extends life dramatically, minimizing re-lamping and ongoing maintenance requirements. Naturally ventilated, integral ventilation in the housing of the unit means that no forced cooling is required, thereby reducing maintenance. Interface to other devices, incorporates multipurpose programmable dry contact and analog inputs for interfacing to other devices. Internal controls, programmable logic controller capable of comprehensive conditional and sequential logic and arithmetic function processing. Options available, including earth leakage and overload protection on each channel, or three pole circuit breakers.

Product data

General information	
CE mark	CE mark
Type description - long text	12 channel Trailing Edge Dimmer Controller with a maximum load per channel of 10 A.
Remarks	Please download the Lighting - Product Data Sheet for more information and ordering options

EU RoHS compliant	Yes
Application conditions	
Ambient temperature range	0 to +40 °C

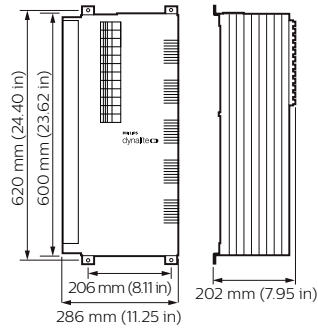
Dynalite Phase-Cut Dimmers

Product data

Full product code	871016350586200
Order product name	DTE1210
EAN/UPC - Product	8710163505862
Order code	913703022009
Numerator - Quantity Per Pack	1

Local code description	12 x 10A Trailing Edge Dimmer
Numerator - Packs per outer box	1
Material Nr. (12NC)	913703022009
Net Weight (Piece)	16.000 kg

Dimensional drawing



DTE1210

DTE1210

