



LightSpot HD QuickLink PIR Sensors

QuickLink is a unique intelligent solution which allows the easy creation of a simple small network of up to four sensors, each sensor can act independently or as an integral part of the network.

Features and benefits

- Occupancy data and light levels can be shared among sensors
- Allows up to three additional sensors to be added with just two low voltage connections
- Adjustable detection footprint using tilting lenses
- Low quiescent power consumption
- QuickAnalytics provides verification of energy savings using QuickSet Pro
- Quick, easy commissioning with wireless programming tools
- Simplified installation
- Flush and surface mount options



Applications

- Commercial Offices
- Education
- Healthcare
- Hospitality
- Industrial

Technical Data

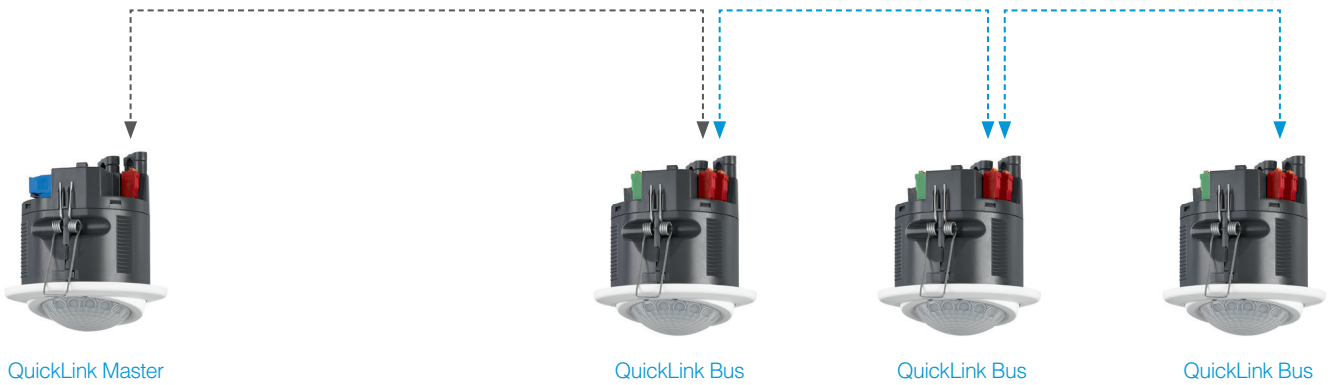
Technology	PIR
Coverage	360° (Range detailed overleaf)
Operating Voltage	QuickLink Master sensor 230V +/- 15% 50/60 Hz Recommended Circuit Protection 16A MCB QuickLink Bus sensor Min 7.5V Nominal 15V Max 17.5V
Current	QuickLink Bus sensor Max 12mA
Power Consumption	Load On 500mW Load Off 150mW
Load Rating	Switching - 10A (Max Inrush Current 80A) Dimming - 15 Ballasts
Operating Temperature	0° C to 45° C
Storage Temperature	-20° C to 80° C
Humidity	20% to 80% non-condensing
Fascia Colour	White (RAL9010)
Weight	140g
Material	Flame retardant PC/ABS
IP Rating	IP4x
Conformity	EMC-2004/108/EC LVD - 2006/95/EC RoHS-2011/65/EU

QuickLink System

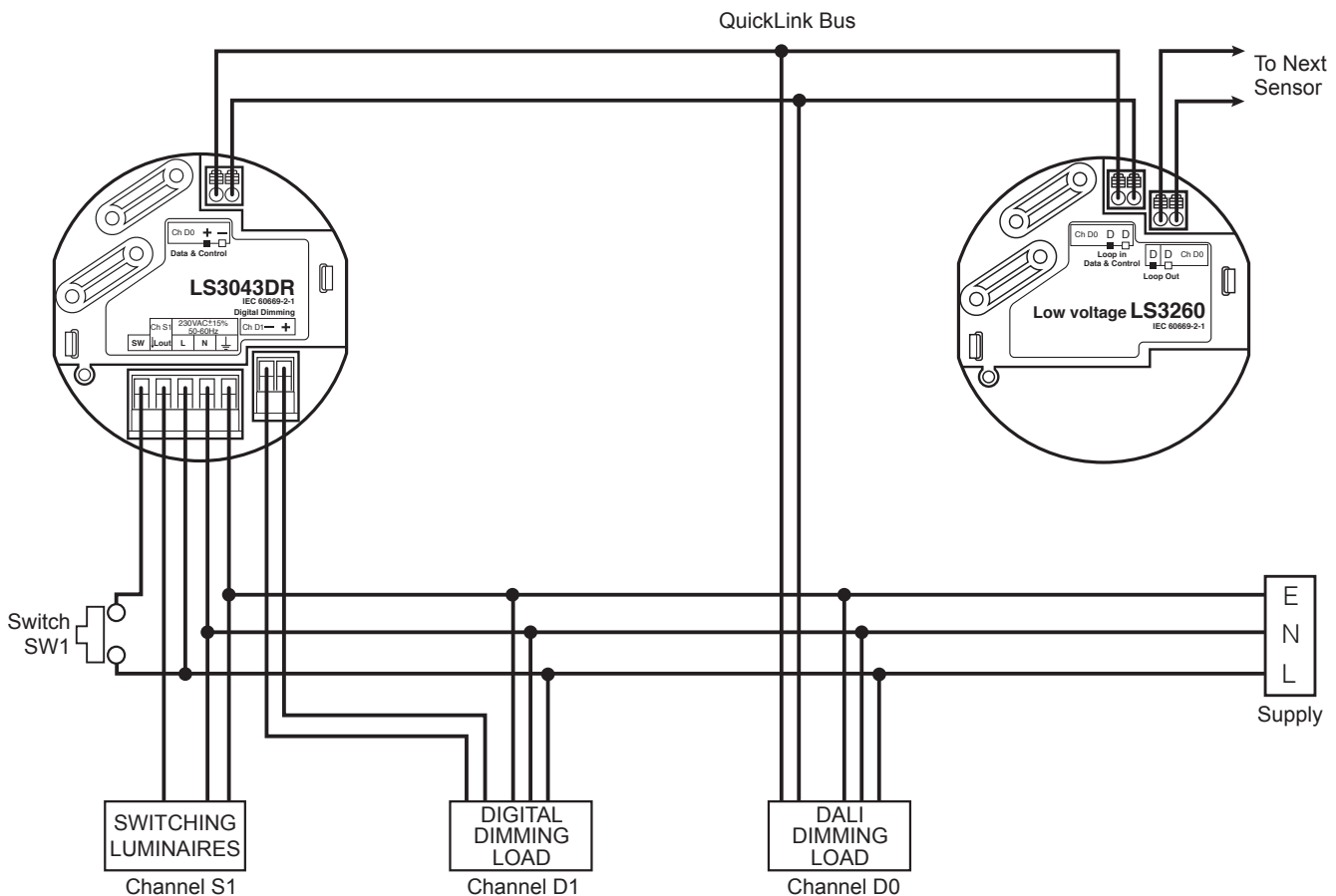
QuickLink is a unique intelligent solution that lets you easily create a simple small network of up to four sensors. Each sensor can act independently or as an integral part of the network. Bus sensors are linked with just one two wire low voltage connection.

QuickLink networks improve the intelligence of your system as the data on occupancy and light levels can be shared across the sensors. Applications include corridor linking, ensuring you'll always walk into an appropriately lit corridor.

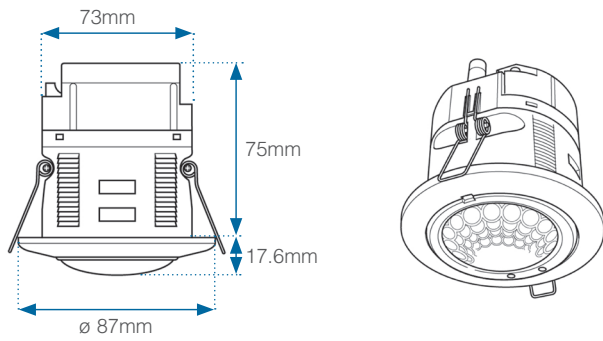
QuickLink Master sensors can be connected to up to three QuickLink Bus Sensors



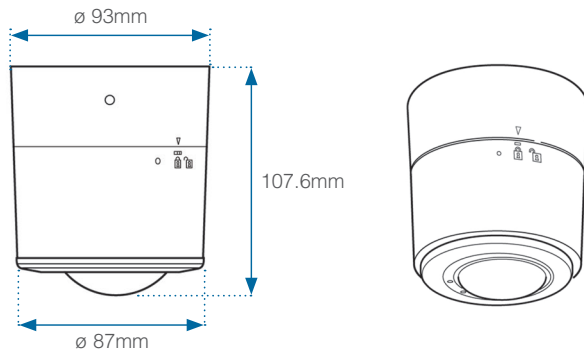
Connection Diagrams



Flush Mount



Surface Mount

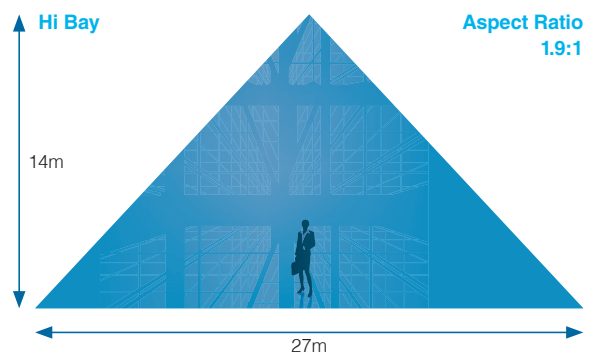
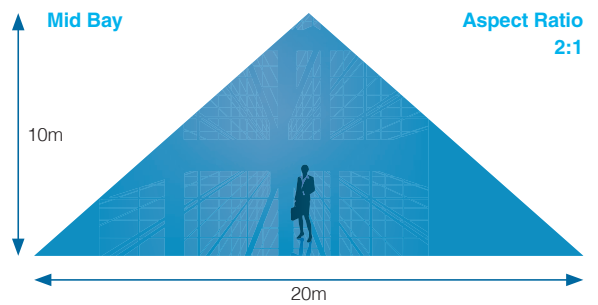
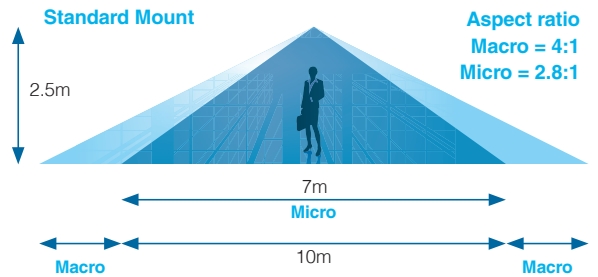


LightSpot HD QuickLink PIR Sensors

LS3243RF	LightSpot HD QuickLink Master Switching Sensor with Lens Tilting And Low Power Flush Mount
LS3243RSM	LightSpot HD QuickLink Master Switching Sensor with Lens Tilting And Low Power Surface Mount
LS3043ARF	LightSpot HD QuickLink Master 1-10v Analogue Dimming Sensor with Lens Tilting And Low Power Flush Mount
LS3043ARSM	LightSpot HD QuickLink Master 1-10v Analogue Dimming Sensor with Lens Tilting And Low Power Surface Mount
LS3043DRF	LightSpot HD QuickLink Master Digital Dimming Sensor with Lens Tilting And Low Power Flush Mount
LS3043DRSM	LightSpot HD QuickLink Master Digital Dimming Sensor with Lens Tilting and Low Power surface Mount
LS3260F	LightSpot HD Low Voltage QuickLink Bus Connection Sensor Flush Mount
LS3260SM	LightSpot HD Low Voltage QuickLink Bus Connection Sensor Surface Mount
LS3270F	LightSpot HD Low Voltage QuickLink Bus Connection Sensor With ELV switch inputs and VF O/P Flush Mount
LS3270SM	LightSpot HD Low Voltage QuickLink Bus Connection Sensor With ELV switch inputs and VF O/P Surface Mount
LS3283RF	LightSpot HD Switching Low Voltage QuickLink Bus Connection Sensor with ELV switch inputs and VF O/P and Lens Tilting Flush Mount
LS3283RSM	LightSpot HD Switching Low Voltage QuickLink Bus Connection Sensor with ELV switch inputs and VF O/P and Lens Tilting Surface Mount

Sensing Data

	Aspect ratio (diameter: height)		
Type	Micro Detection - High Sensitivity	Micro Detection - Standard Sensitivity	Max recommended mounting height
Office	2.8:1 (7m diameter @ 2.5 height)	4:1 (10m diameter @ 2.5 height)	3.5m
Mid Bay	N/A	2:1 (20m diameter @ 2.5 height)	12m
High Bay	N/A	1.9:1 (20m diameter @ 2.5 height)	16m



LightSpot HD Tools

QuickControl	LightSpot HD Infrared User Controller
QuickSet	LightSpot HD Infrared Programming Tool
QuickSet Pro	LightSpot HD Digital 2 Way Programming Tool

LightSpot HD Accessories

SURFMT	LightSpot HD Surface Mount Kit
LOCKRING	LightSpot HD Secure Flush Mount Adaptor