

Installation guide

TSE40 Colour Touchscreen



Planning the Installation

TSE40 is designed to be wall mounted in landscape orientation.

TSE40 requires a minimum mounting depth of 1.86" (47mm) from the front wall surface plus room for cable/s. TSE40 is designed to be powered over an Ethernet connection (PoE), via iCANnet™ or an auxiliary power supply.

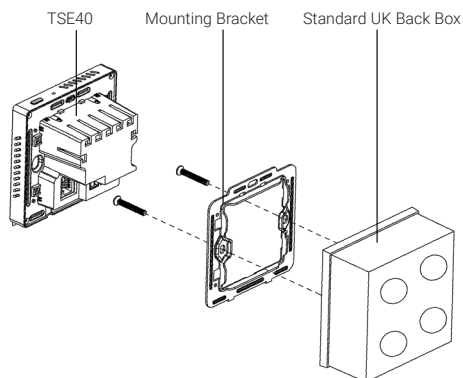
There are two ways the TSE40 communicates with an iCANnet™ network.

1. A hard wired Ethernet connection to a TSI-1 / TSI-1-NA via a PoE Switch.

Or

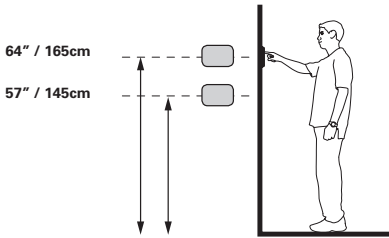
2. Directly to iCANnet™ using iCANnet™ cable.

Overview



Mounting height

The recommend mounting height for the TSE40 is 57 - 64in (145-165cm) above the finished floor to the center of the unit.

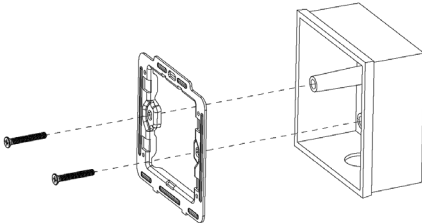


Installation

A dedicated mounting bracket is included with the TSE40. The bracket fits to a standard 47mm deep UK backbox.

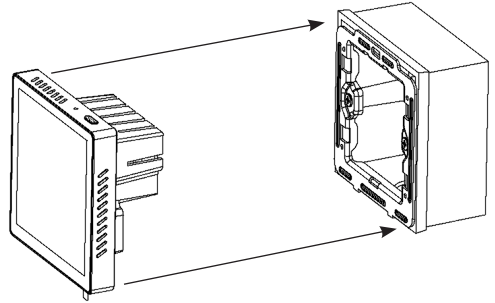
The mounting bracket must be used for the installation.

Using the included screws (or any other flat M3.5 screws) fix the mounting bracket to the back box and verify that the components are level before mounting the screen.



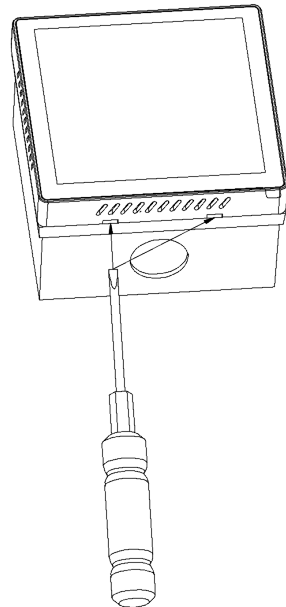
Mounting the TSE40

The TSE40 screen is designed to friction fit into its mounting bracket. Line the screen up with the bracket and press firmly until the screen is fully engaged.



Removing the TSE40

There are two small slots located on the underside of the screen. Using a flat ended screwdriver, place the end in the slots and apply downward force (lever principal). This will ease the screen from the friction fit point and enable the screen to be removed from the mounting bracket.



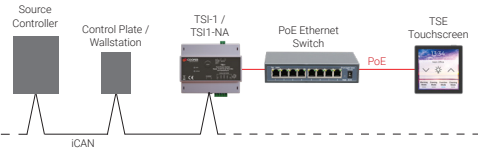
Connecting to the lighting system

Via Ethernet

TSE40 can connect to the lighting system using a touchscreen interface (TSI-1 or TSI-1NA) via a PoE network switch.

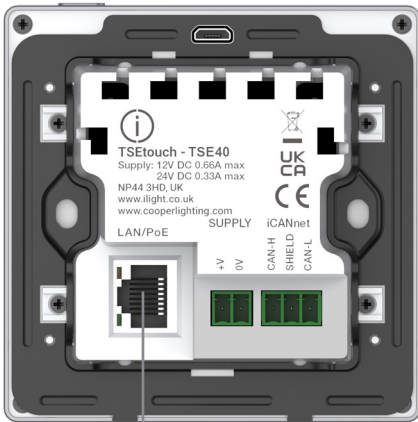
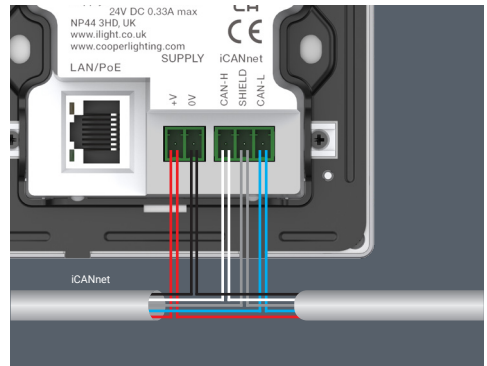
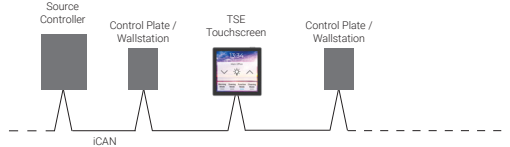
Connect the TSE40 using a standard CAT5E or CAT6 Ethernet cable from the PoE network switch to the LAN/PoE socket on the back of the TSE40.

Ensure that both the touchscreen and touchscreen interface are on the same physical Ethernet Network and within the same IP address range. See the 'TSE40/TSE100 Programming Guide' for information on setting IP addresses.



Direct to iCANnet™ using network power

Sufficient DC power must be available on the iCANnet™ network to accommodate the touchscreen.



PoE Ethernet Connection

iCANnet™ Network Connections

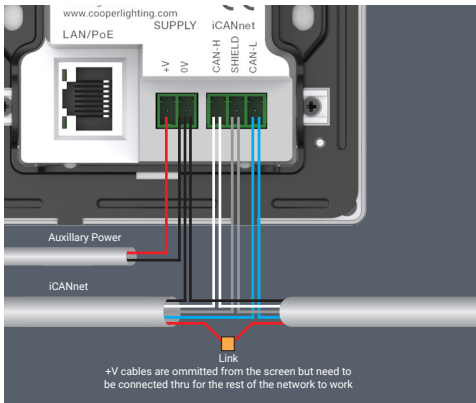
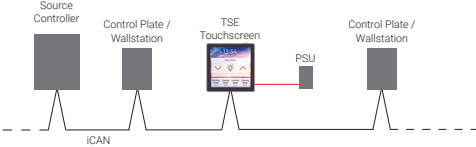
| Function | iCANnet™ Cable Colours |
|----------|------------------------|
| +VDC | Red |
| 0V | Black |
| CAN H | White |
| Shield | Silver |
| CAN L | Blue |

Maximum segment distance: 500m (1640 ft)
 Devices per segment: 100 (without bridge or repeater).

Direct to iCANnet using auxillary power supply

TSE40 can also be connected directly to the iCANnet™ network using iCANnet™ cable and an auxillary power supply.

Note: When utilising a suitable DC power supply, such as 12NC: 912600000668, be sure to fit the green power connector included with the touchscreen, paying particular attention to polarity.



iCANnet™ Network Connections

| Function | iCANnet™ Cable Colours |
|----------|------------------------|
| +VDC | Red (Not connected) |
| 0V | Black |
| CAN H | White |
| Shield | Silver |
| CAN L | Blue |



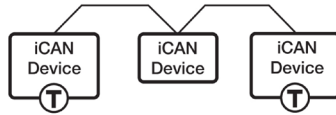
UK
 Usk House, Lakeside, Llantarnam Park,
 Cwmbran, NP44 3HD, UK
 Phone: +44 (0)844 324 9100
 Email: ctechsupport@signify.com
 www.ilight.co.uk

US
 1121 Highway 74 South
 Peachtree City, GA 30269
 Phone: +1 800 553 3879
 Email: controltechsupport@cooperlighting.com
 www.cooperlighting.com

Document: TSE40 9850-001094-02

Termination

iCANnet™ is a 'daisy chain' protocol that requires termination on the device located at either end of the chain.



T - Indicates where a termination is required.

If the TSE40 is the last device on the network a 120ohm termination resistor will need to be added between CAN-H and CAN-L (White & Blue). These are included in the SW3 Kit.

Specifications

Dimensions: 86mm w (3.38") x 86mm h (3.38")

Mounting depth: 47mm (1.86")

Display: 4" (101mm) Diagonal

Resolution: 720 x 720 pixels

Network: 10/100/1000 Ethernet

Supply:

- Power over Ethernet (PoE)
- 15V DC (12-18V) via iCANnet™
- 12-24V DC via auxiliary power supply

Never apply more than 18V DC to iCANnet™

Current Consumption:

12V DC - 660mA Max

24V DC - 330mA Max

Canada

5925 McLaughlin Road
 Mississauga, Ontario L5R 1B8
 P: 905-501-3000
 Email: cansupport@cooperlighting.com
 www.cooperlighting.com

EU Authorised Representative
 Cooper Lighting Netherlands B.V.
 High Tech Campus
 HTC 48, Eindhoven
 5656 AE



**UK
CA**



FM 727924