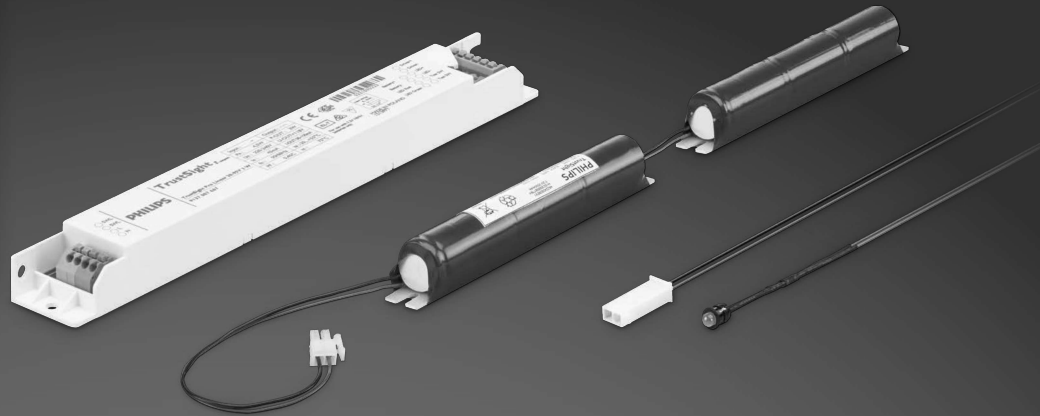


PHILIPS

TrustSight

Emergency

Linear 20-95V 3W/6W



Datasheet

TrustSight LED Emergency Lighting

TrustSight Linear 20-95V 3W/6W

The application of LED technology within the lighting sector also requires integration of reliable emergency lighting equipment inside luminaires. The range of TrustSight Emergency Lighting solutions offers easy design-in and is compatible with all dimmable and non-dimmable LED drivers. The TrustSight emergency driver is designed for Maintained solutions, but can also be used in a non-Maintained Emergency Lighting configuration. It offers Self-testing (IEC 62034) and is available in 1 and 3 hours duration. The TrustSight Pro LED emergency kits come complete with battery packs and are designed for use with constant current LED drivers.

Benefits

- Compliant with international standards.
- Optimum system integration with LED driver and LED modules

Features

- Constant output power
- Small low profile batteries
- Automatic emergency time selection
- Basic insulated output

Application

- For luminaires of protection class I and protection class II
- Used in offices, supermarkets, department stores, schools, etc

May 2016

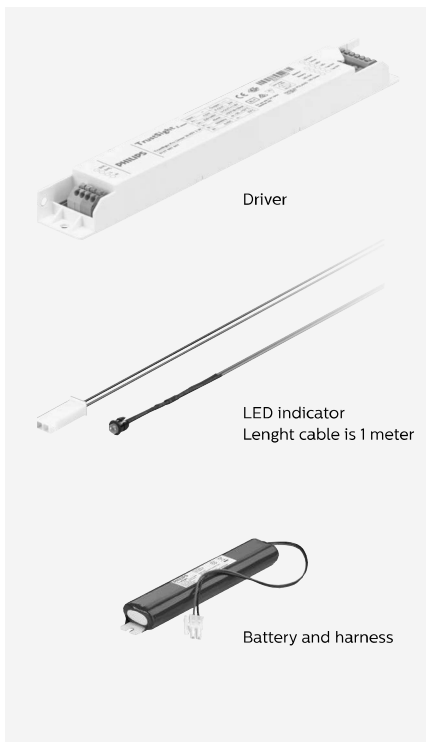
Logistical data

Product name	12NC	Pieces per box
TrustSight Basic L 20-95V 3W	9137 007 67366	10
TrustSight Pro L 20-95V 3W	9137 007 66766	10
TrustSight DALI L 20-95V 3W	9290 009 95966	10
TrustSight Basic L 20-95V 6W	9137 007 67466	10
TrustSight Pro L 20-95V 6W	9137 007 66866	10
TrustSight DALI L 20-95V 6W	9290 009 96066	10
TrustSight Flat Batt NiMH 7.2V 1300mA	9137 007 66966	10
TrustSight Flat Batt NiMH 7.2V 2500mAh	9137 007 67066	10

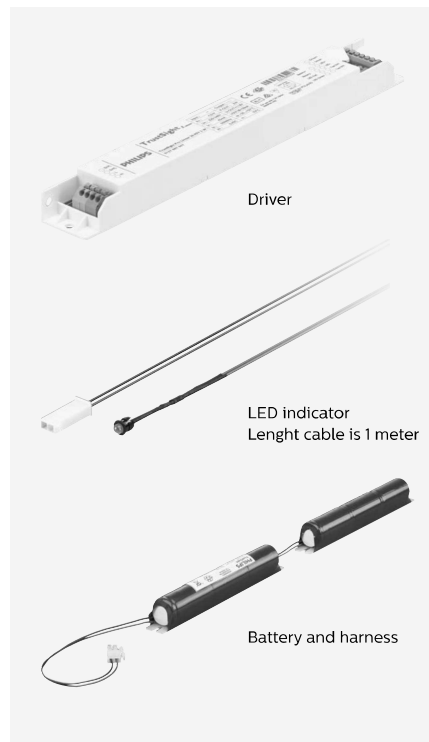
The TrustSight PRO and DALI types are equipped with self-test functionality according IEC 62034. The TrustSight Basic can only be tested manually (via mains interruption or with a test switch). Battery connection cable is included in the battery box. LED-indicator is included in the driver box.

EM system contains of:

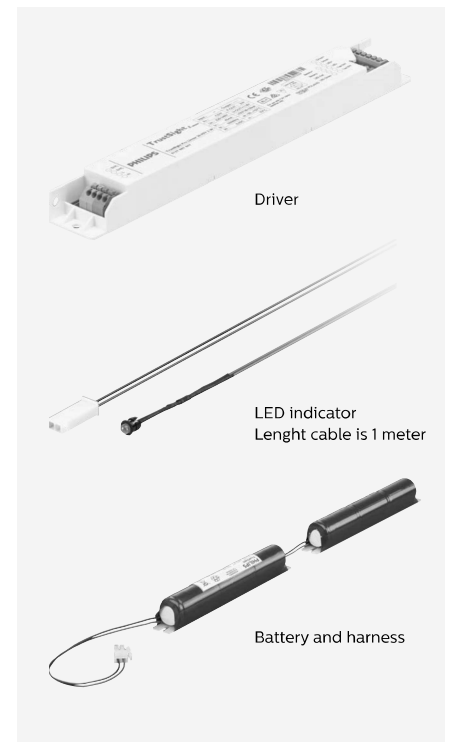
TrustSight LED Linear 3W 1 hour



TrustSight LED Linear 6W 1 hour



TrustSight LED Linear 3W 3 hour



Electrical input data

Specification item	value	Unit	Condition
Nominal input voltage	220...240	Vac	
Nominal input frequency	50...60	Hz	
Nominal input current	25	mA	@230 V, 130 mA battery charge current
Input voltage	230	Vac	
Nominal input power	4	W	@230 V, 130 mA battery charge current
Total harmonic distortion	< 20	%	
Input voltage AC	202...254	Vac	Performance range
Input frequency AC	47.5...63	Hz	Performance range
Switched mains contact current	2.4	A	Maximum permissible current

Electrical output data

Specification item	value	Unit	Condition
Regulation method	Constant Power		
Output voltage	20..95	Vdc	
Output voltage max.	110	Vpk	Peak voltage at open load
Output power	3 / 6	W	
Output power tolerance	+ 10	%	
Switch over time ac..dc	< 500	ms	

Battery duration

Specification item	Type	condition
3 W	NiMH 1300 mAh AA-Cells	1 hour rate duration
3 W	NiMH 2500 mAh sC-Cells	3 hours rate duration
6 W	NiMH 2500 mAh sC-Cells	1 hour rate duration

* Batteries are sufficient charged within 24 hours after being discharged.

DALI

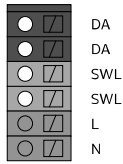
The TrustSight point drivers with DALI functionality comply with DALI standard IEC IEC62386 as well as IEC62386-202 (particular requirement for control gear - Self-contained emergency lighting).

Commands supported:

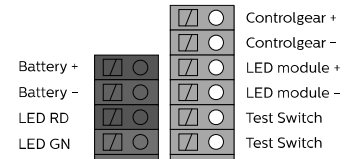
- Query lamp failure
- Rest
- Inhibit
- Re_light_reset_inhibit
- Start function test
- Start duration test
- Stop test
- Reset function test done flag
- Reset duration test done flag
- Reset lamp time
- Store test execution timeout
- Store prolong time
- Start identification
- Query battery charge
- Query test timing
- Query duration test result
- Query lamp emergency time
- Query lamp total operation time
- Query emergency level
- Query rated duration
- Query emergency mode
- Query features
- Query Failure status
- Query Emergency status

Wiring & Connections

Specification item	value	Unit	Condition
Input wire cross-section	0.5...1.5	mm ²	WAGO250 (3.5 mm), solid wire
	16..24	AWG	WAGO250 (3.5 mm), solid wire
Input wire strip length	8.5..9.5	mm	
Output wire cross-section	0.5...1.5	mm ²	WAGO250 (3.5 mm), solid wire
	16..24	AWG	WAGO250 (3.5 mm), solid wire
Input wire strip length	8.5..9.5	mm	
Maximum cable length	600	mm	Total length of wiring including LED module, one way



TrustSight Linear 20...95 V (LED Emergency Driver Gen2)

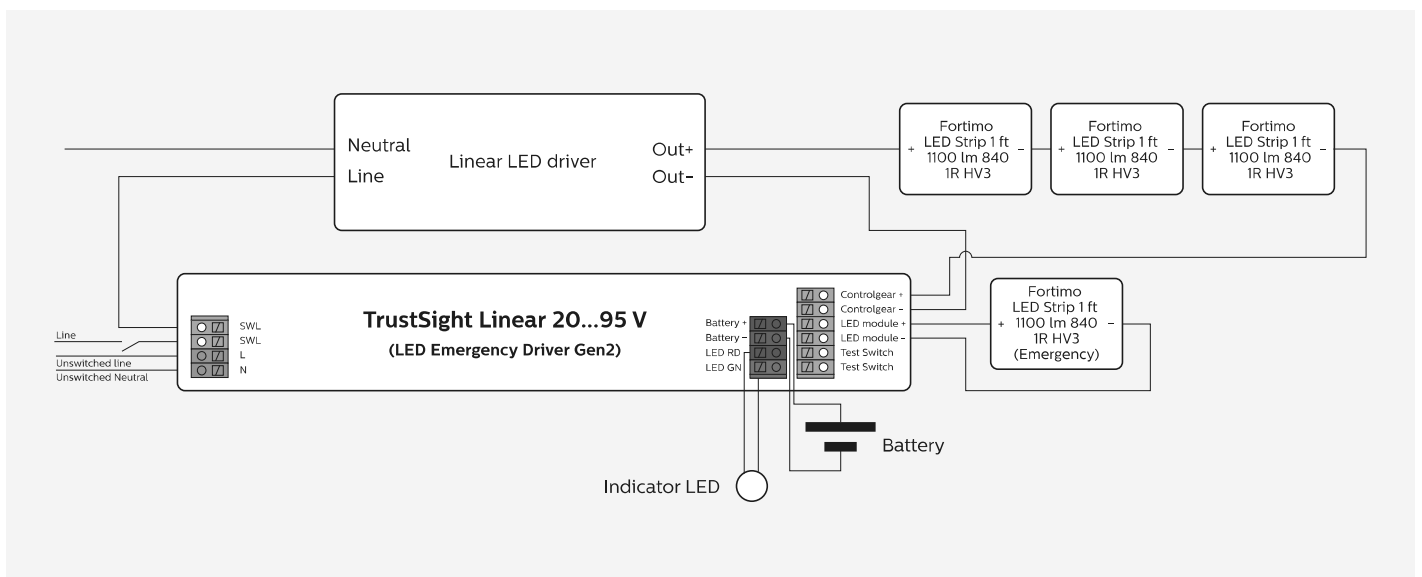
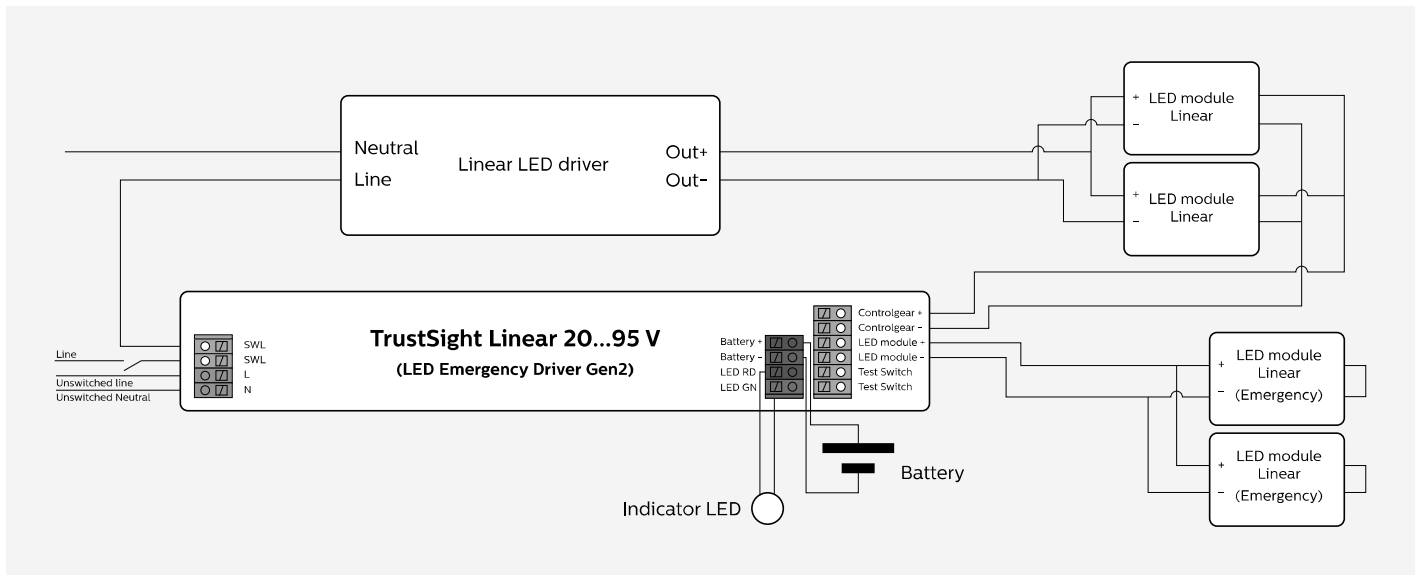
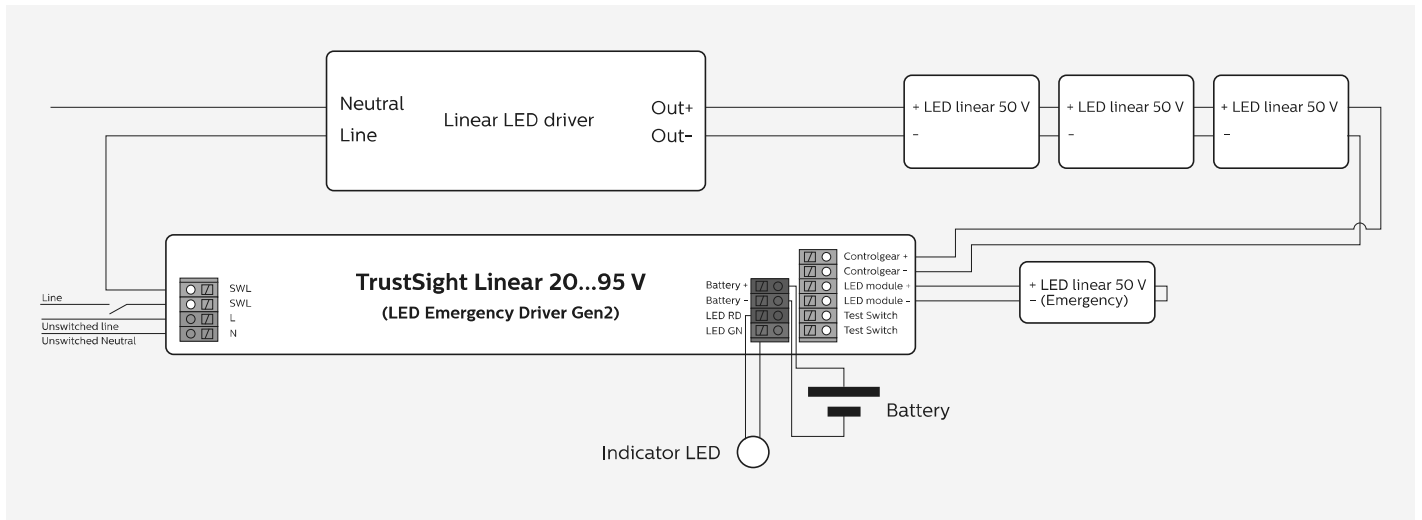


Insulation

	Mains	battery	LED	Status LED	Test switch	DALI
Mains	NA					
battery	Basic	NA				
LED	Double	Basic	NA			
Status LED	Basic	No	Basic	NA		
Test switch	Basic	No	Basic	No	NA	
DALI	Basic	Basic	Basic	Basic	Basic	NA

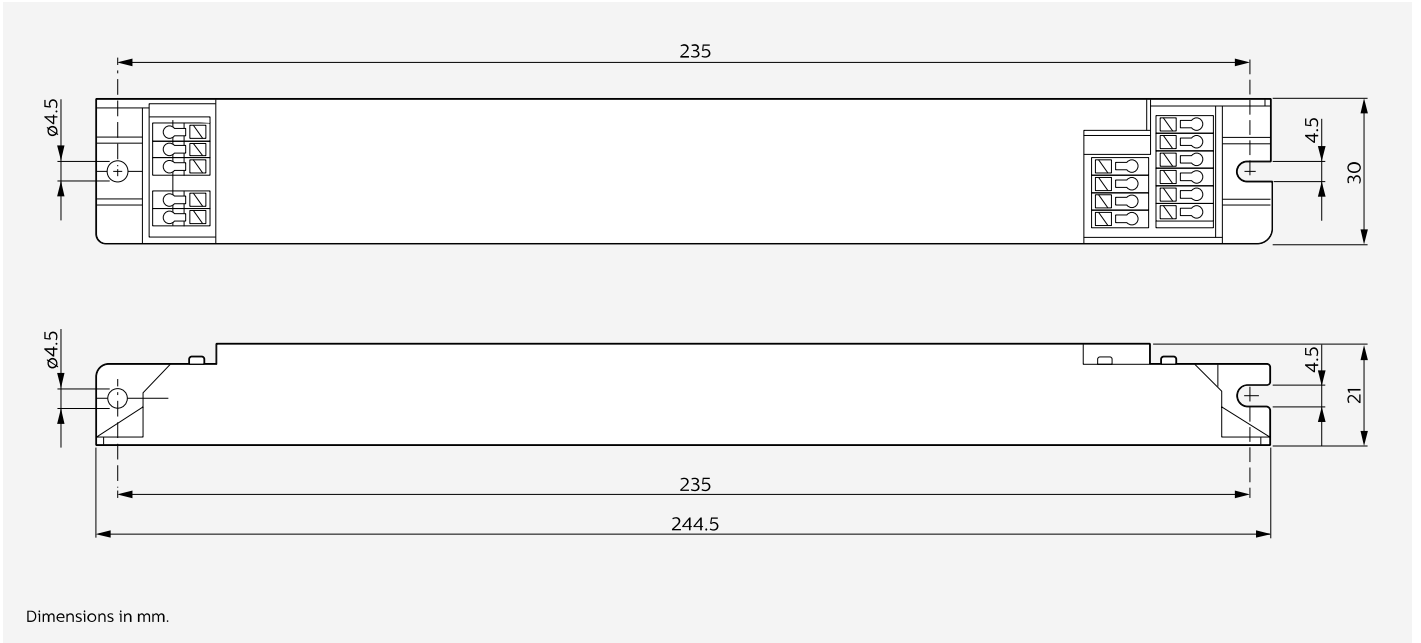
Kit includes

Example with HV LED modules



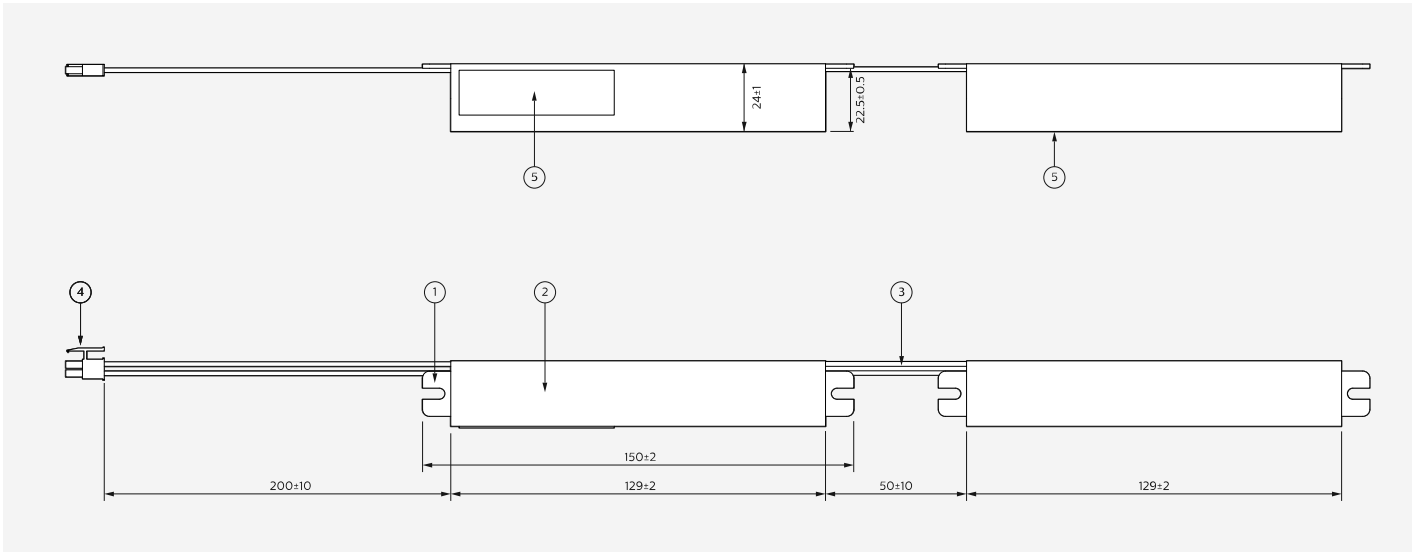
Dimensions and weight

Specification item	value	Unit	Condition
Length (A1)	244.5	mm	
Width (B1)	30	mm	
Height (C1)	21	mm	
Fixing hole diameter (D1)	4.5	mm	
Fixing hole distance (A2)	235	mm	
Weight	88.7	gram	



Mechanical drawings

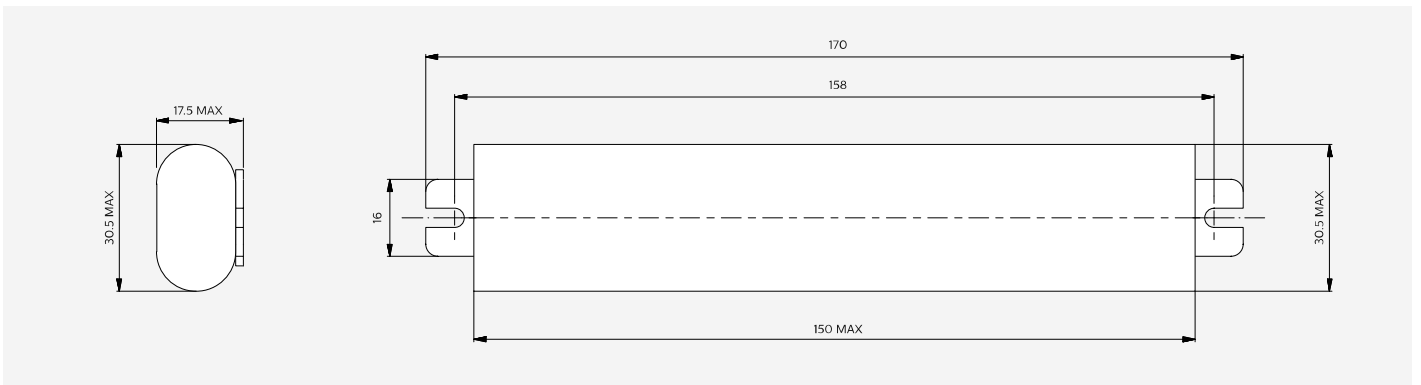
2500 mAh battery



Parts List

Item	Quantity	Part number	Description
1	1		PCB material CEM1 (no copper)
2	6		Cell H-SC2500BT 42.4*22.2
3	1		Battery/PCB insulator wrap
4	1		Connector + Wire (red/black)
5	1		Label

1300 mAh battery



Operational temperatures and humidity

Specification item	value	Unit	Condition
Ambient temperature	-20...+55	°C	
Ambient temperature battery pack	0...+50	°C	
Tcase-max	75	°C	lifetime 70 khrs
Tcase-max battery pack	55	°C	Lifetime 4 years in operation
Maximum housing temperature	90	°C	In case of failure
Relative humidity	10...90	%	Non-condensing

Storage temperature and humidity

Specification item	value	Unit	Condition
Ambient temperature TrustSight	-25...+70	°C	
Ambient temperature battery pack	-20...+30	°C	For 6 months
Relative humidity	5...95	%	Non-condensing

Lifetime

Specification item	value	Unit	Condition
Driver lifetime	70,000	hours	Measured temperature at Tc-point is Tcase- max. Maximum failures = 10%

Features / protections

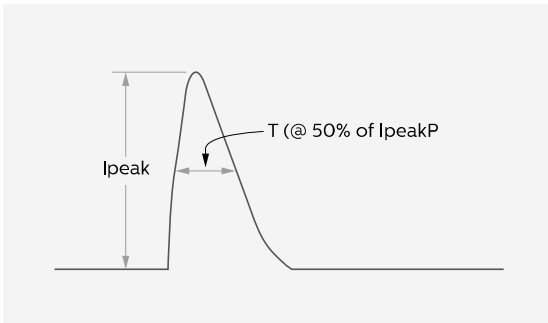
Specification item	value	Remark	Condition
Open load protection – LED	Yes		Automatic recovering
Short circuit protection – LED	Yes		Automatic recovering
Hot wiring -LED	No		
Suitable for fixtures with protection class	I / II		
Open load protection – battery	Yes		Automatic recovering
Short circuit protection – battery	Yes		Automatic recovering
Reverse polarity protection – battery	Yes		Automatic recovering

Certificates and standards

Specification item	value
Approval marks	CE / ENEC / RCM
Ingress Protection classification	20
Compliances and approvals	<ul style="list-style-type: none"> • IEC 61347-2-7 • IEC 60598-2-22 • EL (F-mark) acc. IEC61347-1 ed 8.0 • IEC61347 • EN 55015/CISPR15 • IEC / EN 61000-3-2 • IEC / EN 61000-3-3 • IEC 62384 • EN 61951-2 • EN 60598-1 (650 °C/850 °C) • AS 2293.1-2005 (+A1) • AS 2293.2-1995 (+A2) • AS 2293.3-2005 • IEC 62386 • IEC 62386-202

Inrush current

Specification item	value	Unit	Condition
Inrush current I_{peak}	5	A	Input voltage 230 V
Mains current pulse time half peak	110	μ s	Input voltage 230 V, measured at 50% I_{peak}



Earth leakage current

Specification item	value	Unit	Condition
Typical touch current	< 0.7	mApk	To all accessible parts, LED module contribution not included

Surge capability

Specification item	value	Unit	Condition
Mains surge capability (diff. mode)	1	kV	
Mains surge capability (comm. mode)	2	kV	

