

23x Frame Kit

The 23x Series is a customisable DALI-compatible range of frame kits (frame and chassis) for Helvar 12x and 13xx control modules.

Key Features

- Compatible with any of Helvar 12x and 13xx panel modules, including customisable versions.
- Designed to fit DIN and UK standard back boxes.
- Double-gang version can take three independent modules.

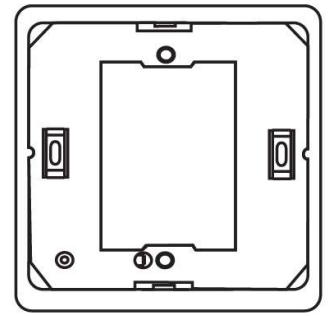
Finishes

The frames kits are available in the following range of finishes:

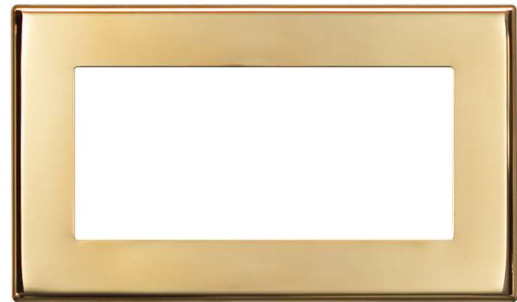
Frame finish	Single-gang code	Double-gang code
White Plastic (RAL 9003)	230 S	230 D
Polished Brass	231 S	231 D
Stainless Steel	232 S	232 D
Painted White Metal	234 S	234 D
Black Plastic (RAL 7016)	235 S	235 D



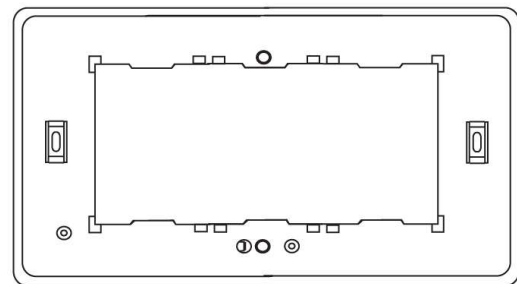
Single frame



Single chassis



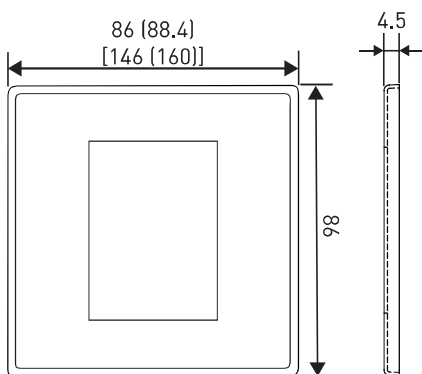
Double frame



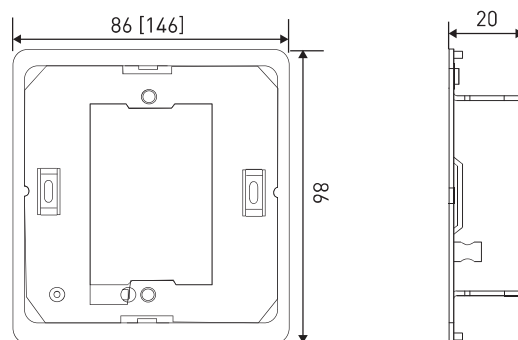
Double chassis

Dimensions (mm)

Frame



Chassis




() = White plastic dimensions, [] = Double-gang dimensions
 The Helvar 12x and 13xx control modules are sold separately.

Technical Data

Dimensions	
Single frame dimension:	86 mm × 86 mm × 4.5 mm (Plastic: 88,4 mm × 88,4 mm × 4,5 mm)
Double frame dimension:	146 mm × 86 mm × 4,5 mm (Plastic: 160 mm × 88,4 mm × 4,5 mm)
Single chassis dimensions:	86 mm × 86 mm × 5,9 mm
Double chassis dimensions:	146 mm × 86 mm × 5,9 mm

Weight	
Single frame kit – Net weight:	100 g
Single frame kit – Shipping weight:	130 g
Double frame kit – Net weight:	144 g
Double frame kit – Shipping weight:	184 g

Conformity and standards	
Conformity:	
Environment:	Complies with WEEE and RoHS directives.