

**DALI PS2**

DALI power supply



**Product description**

- \_ For supplying 240 mA for DALI devices or control modules without their own power supplies
- \_ For installation in switching cabinets
- \_ 5 years guarantee (conditions at <https://www.tridonic.com/en/int/services/manufacturer-guarantee-conditions>)

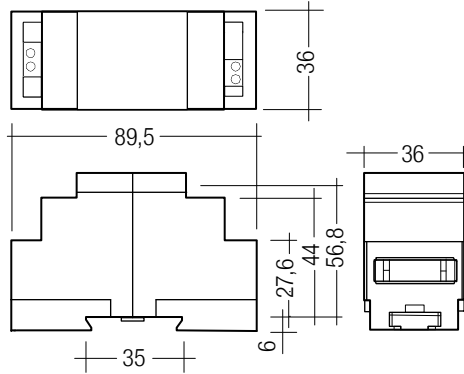
**Website**

<http://www.tridonic.com/28000876>



**DALI PS2**

DALI power supply

**Ordering data**

Type	Article number	Packaging, carton	Weight per pc.
DALI PS2	28000876	40 pc(s).	0.105 kg

**Technical data**

Rated supply voltage	220 – 240 V
Mains frequency	50 / 60 Hz
Typ. rated current (at 230 V, 50 Hz, full load)	57 mA
Power	4.7 W
Output voltage	13.5 V ± 5 %
Max. output current, DALI	240 mA
Operating temperature	0 ... +50 °C
Max. casing temperature $t_c$	80 °C
Storage temperature $t_s$	0 ... +70 °C
Type of protection	IP20
Dimensions L x W x H	89.5 x 36 x 56.8 mm
Guarantee (conditions at <a href="http://www.tridonic.com">www.tridonic.com</a> )	5 Year(s)

**Approval marks****Standards**

EN 55015, EN 61547, EN 61000-3-2, EN 61000-3-3, EN 61347-2-11, EN 62386-101

### 1. Standards

- EN 55015
- EN 61547
- EN 61000-3-2
- EN 61000-3-3
- EN 61347-2-11
- EN 62386-101

#### 1.1 DALI standard

DALI PS2 is designed to supply control gear with DALI standard IEC 60929 (DALI V0) and IEC 62386 (DALI V1).

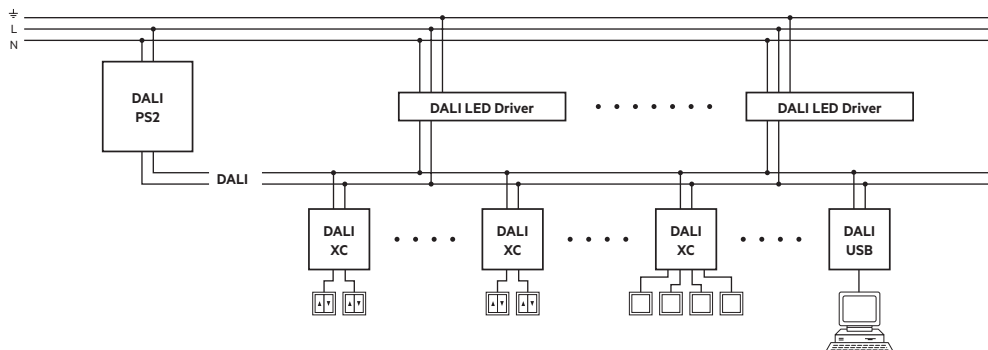
#### 1.2 Glow-wire test

according to EN 60598-1 passed.

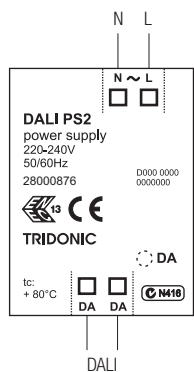
### 2. Installation

- DALI signals are not SELV. Therefore the same procedures should be applied as working with mains voltage
- Individual DALI circuits must not exceed 240 mA
- The maximum cable length of the DALI signal wires must not exceed 300 m or drop more than 2 V on the signal line voltage

#### 2.1 Wiring

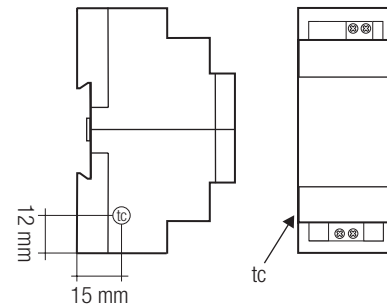


#### 2.2 Circuit diagram



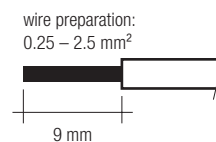
#### 2.3 tc control point

Max. casing temperature  $t_c = 80^\circ\text{C}$



#### 2.4 Wiring type and cross section

For wiring use stranded wire without / with ferrules or solid wire from 0.25 to 2.5 mm<sup>2</sup>.



### 3. Miscellaneous

#### 3.1 Disposal



According to the WEEE directive return old equipment at appropriate collection facilities.

#### 3.2 Additional information

Additional technical information at [www.tridonic.com](http://www.tridonic.com) → Technical Data

Guarantee conditions at [www.tridonic.com](http://www.tridonic.com) → Services

Lifetime declarations are informative and represent no warranty claim. No warranty if device was opened.